



Technical Data

Submersible Motor - MSX251-125C

Revision no.

Page:
 1

Receiver

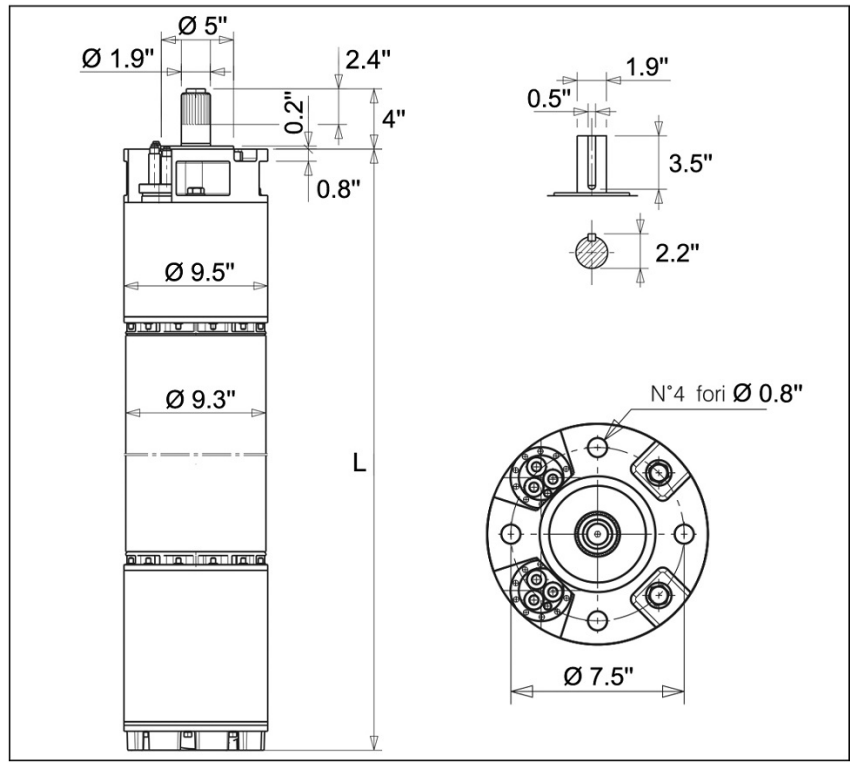
From

Company name
 Respons. Department
 Person in charge
 Phone number
 Fax no
 E-mail address



Brand: Saer
Model: MSX251-125C
Made in Italy

Dimensions:



Flange Conection	Diameter	L	Net Weight
	in	in	lb
Nema	10	51.6	737

Project	Project ID	Created by	Created on	Last update
---------	------------	------------	------------	-------------



Technical Data

Submersible Motor - MSX251-125C

Revision no.

Page:

2

Receiver

From

 Company name
 Respons. Department
 Person in charge
 Phone number
 Fax no
 E-mail address

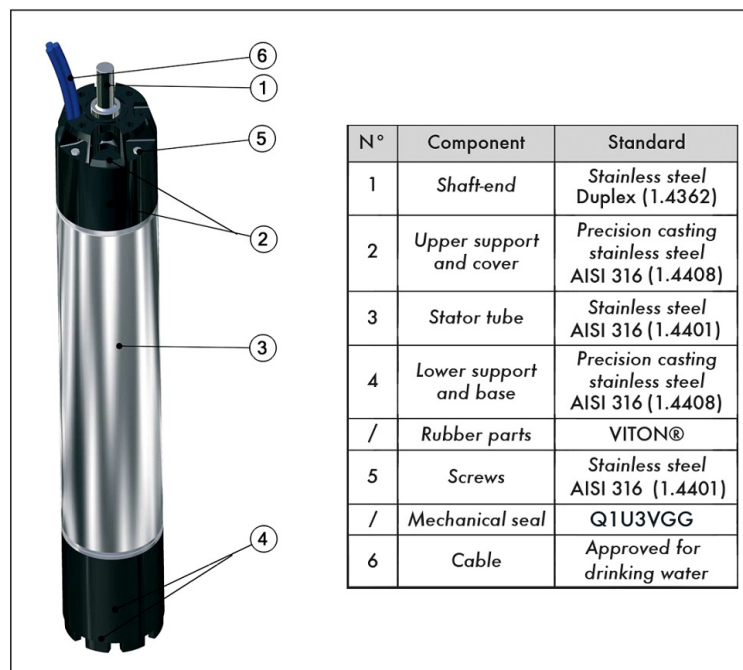
--	--

Datasheet:

Motor		MSX251-125C
Rated Output	HP	125
	kW	90
Rated Voltage	V	460
Rated Current	A	150
RPM	min ⁻¹	3510
η (Eff.) %	50%	87.6
	75%	87.8
	100%	87.3
COSφ (PF)	50%	0.78
	75%	0.85
	100%	0.88
I _a / I _n		6.78
C _a / C _n		2.19
Axial Thrust	lb	15000

- I_a / I_n: Locked rotor current/Rated amperage
- C_a / C_n: Locked rotor Torque/Rated Torque

Materials:



N°	Component	Standard
1	Shaft-end	Stainless steel Duplex (1.4362)
2	Upper support and cover	Precision casting stainless steel AISI 316 (1.4408)
3	Stator tube	Stainless steel AISI 316 (1.4401)
4	Lower support and base	Precision casting stainless steel AISI 316 (1.4408)
/	Rubber parts	VITON®
5	Screws	Stainless steel AISI 316 (1.4401)
/	Mechanical seal	Q1U3VGG
6	Cable	Approved for drinking water

Project

Project ID

Created by

Created on

Last update



Parts List

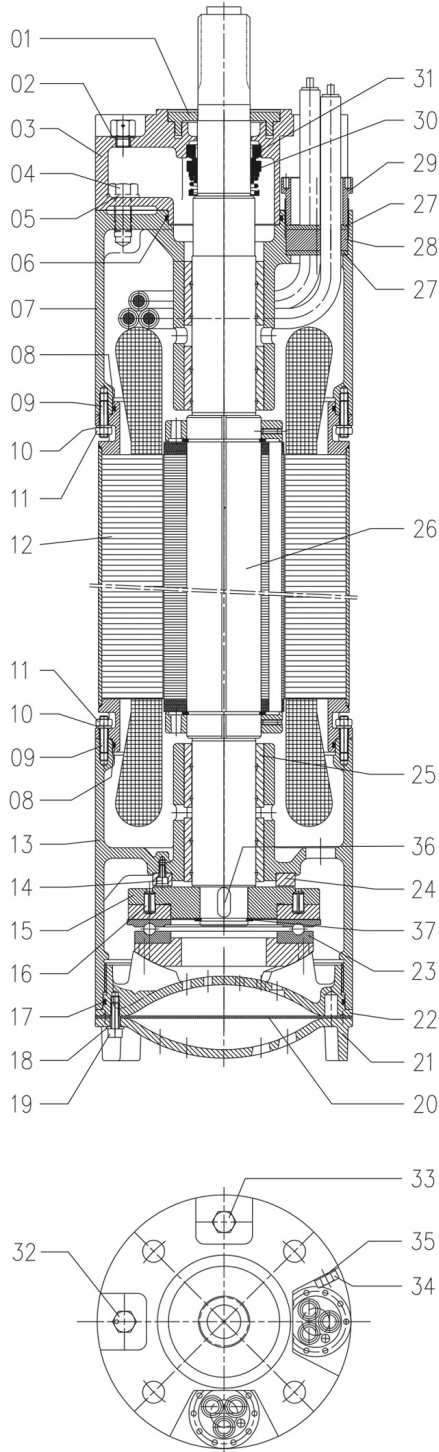
Submersible Motor - MSX251-125C

Revision no. _____
Page: 1

Receiver

From

Company name
Respons. Department
Person in charge
Phone number
Fax no
E-mail address



REF.	COMPONENT
01	Sand guard
02	Washer
03	Upper support
04	Screw
05	Washer
06	O-ring
07	Upper cover
08	O-ring
09	stud bolt
10	Grower washer
11	Nut
12	Wound stator
13	Lower support
14	Screw
15	Thrust bearing disc
16	Flexible pin
17	O-ring
18	Grower washer
19	Screw
20	Compensation membrane
21	Membrane cover
22	Thrust bearing base
23	Thrust bearing
24	Counter-thrust sliding block
25	Bushing
26	Rotor
27	Cable clamp ring
28	Cable clamp gasket
29	Cable clamp screw
30	Rotating mechanical seal
31	Fixed mechanical seal
32	Exhaust valve
33	Filling cap
34	Screw
35	Grower washer
36	Key
37	Seeger ring

Project	Project ID	Created by	Created on	Last update
---------	------------	------------	------------	-------------