



Technical Data

Submersible Motor - MSX201-60C

Revision no.

Page:
 1

Receiver

From

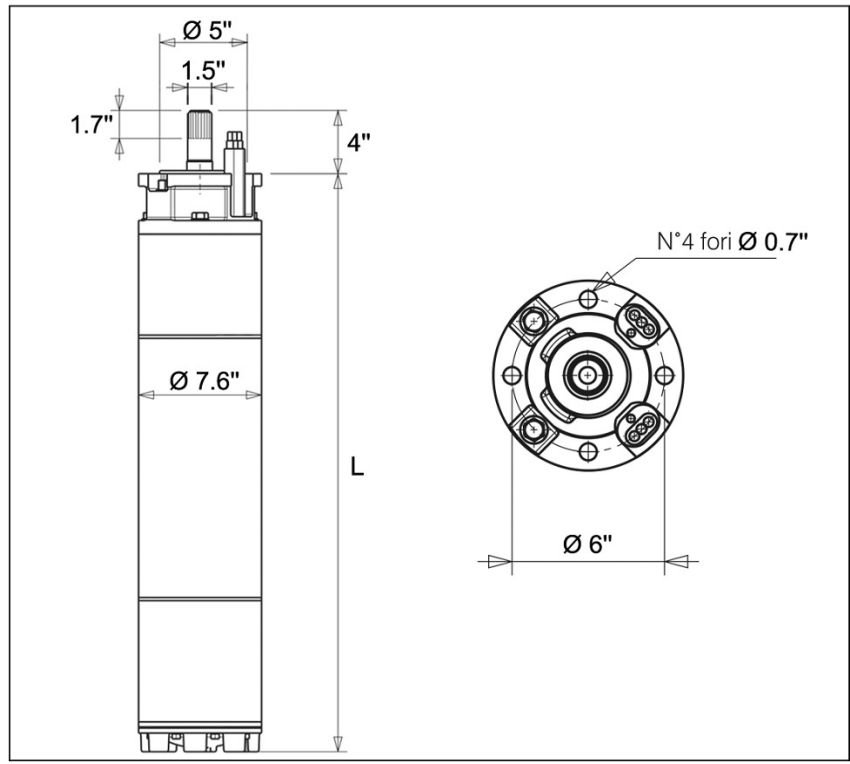
Company name
 Respons. Department
 Person in charge
 Phone number
 Fax no
 E-mail address



Brand: Saer
Model: MSX201-60C
Made in Italy

Include PT100

Dimensions:



Flange Conection	Diameter	L	Net Weight
	in	in	lb
Nema	8	39.2	343.2

Project	Project ID	Created by	Created on	Last update
---------	------------	------------	------------	-------------



Technical Data

Submersible Motor - MSX201-60C

Revision no.

Page:

2

Receiver

From

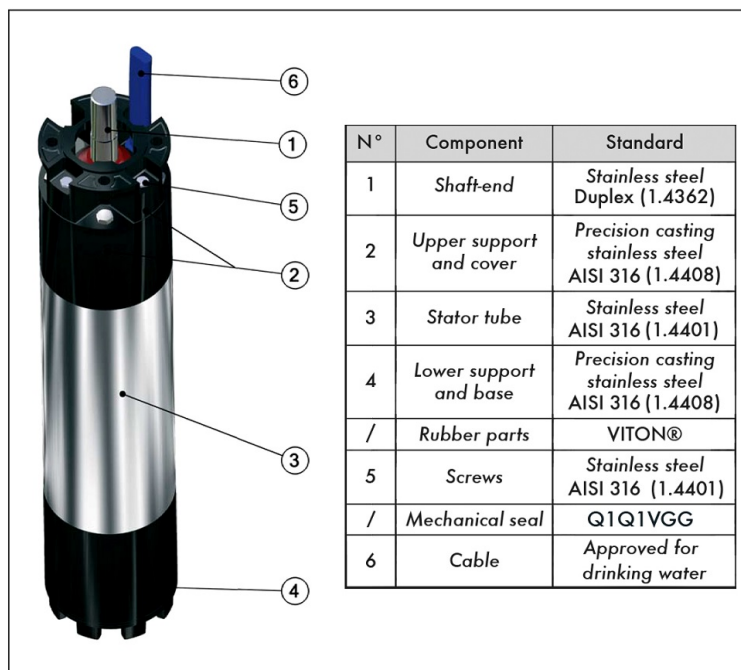
 Company name
 Respons. Department
 Person in charge
 Phone number
 Fax no
 E-mail address

Datasheet:

Motor		MSX201-60C
Rated Output	HP	60
	kW	45
Rated Voltage	V	460
Rated Current	A	76
RPM	min ⁻¹	3490
η (Eff.) %	50%	82.5
	75%	85
	100%	85
COSφ (PF)	50%	0.70
	75%	0.80
	100%	0.86
I _a / I _n		5.30
C _a / C _n		1.87
Axial Thrust	lb	10000

- I_a / I_n: Locked rotor current/Rated amperage
- C_a / C_n: Locked rotor Torque/Rated Torque

Materials:



Project

Project ID

Created by

Created on

Last update



Parts List

Submersible Motor - MSX201-60C

Revision no.

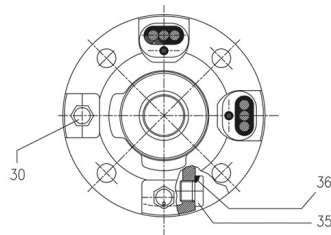
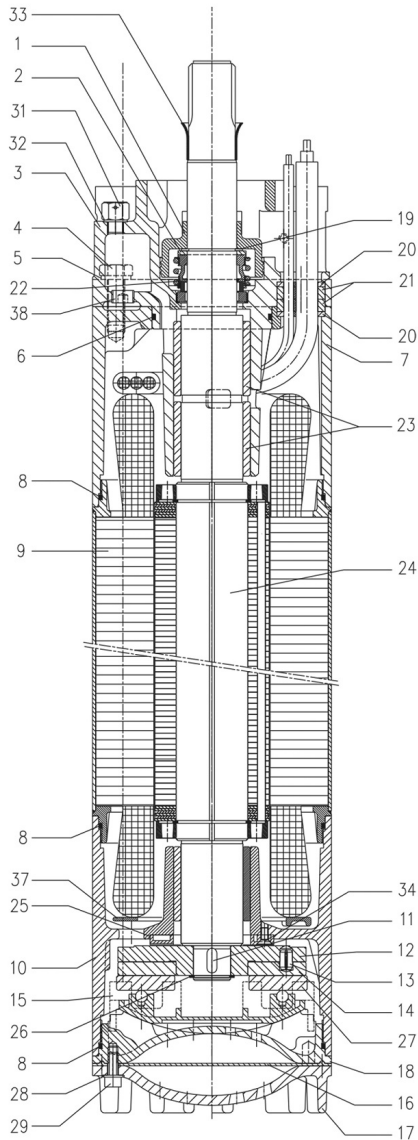
Page:

1

Receiver

From

 Company name
 Respons. Department
 Person in charge
 Phone number
 Fax no
 E-mail address



REF.	COMPONENT
01	Sand guard
02	Seal spacer
03	Upper support
04	Screw
05	Grower washer
06	O-ring
07	Upper cover
08	O-ring
09	Wound stator
10	Lower support
11	Key
12	Thrust bearing disc
13	Flexible pin
14	Thrust bearing ring
15	Sliding blocks holder
16	Compensation membrane
17	Membrane cover
18	Thrust bearing base
19	Seeger ring
20	Cable clamp ring
21	Cable clamp gasket
22	Complete mechanical seal
23	Bushing
24	Rotor
25	Counter-thrust sliding block
26	Seeger ring
27	Thrust bearing sliding blocks
28	Grower washer
29	Screw
30	Filling cap
31	Exhaust valve
32	Gasket washer
33	Shaft protection ring
34	Screw
35	Closing cap
36	Or-ring
37	Winding protection disc
38	Conic cap

Project

Project ID

Created by

Created on

Last update