



## Technical Data

### Submersible Motor- 8F60

Revision no.

Page:

1

Receiver

From

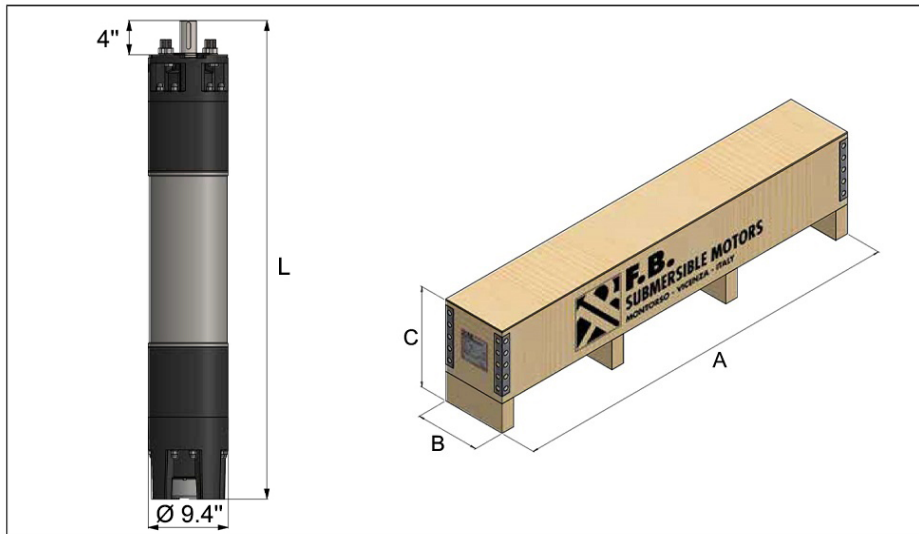
 Company name  
 Respons. Department  
 Person in charge  
 Phone number  
 Fax no  
 E-mail address





**Brand: F.B.**  
**Model: 8F60**

### Dimensions:



L	Net Weight	Case Dimensions (in)			Gross Weight
in	lb	A	B	C	lb
52.4	371.8	53.1	11	15.7	401.3

Project

Project ID

Created by

Created on

Last update



## Technical Data

### Submersible Motor- 8F60

Revision no.

Page:

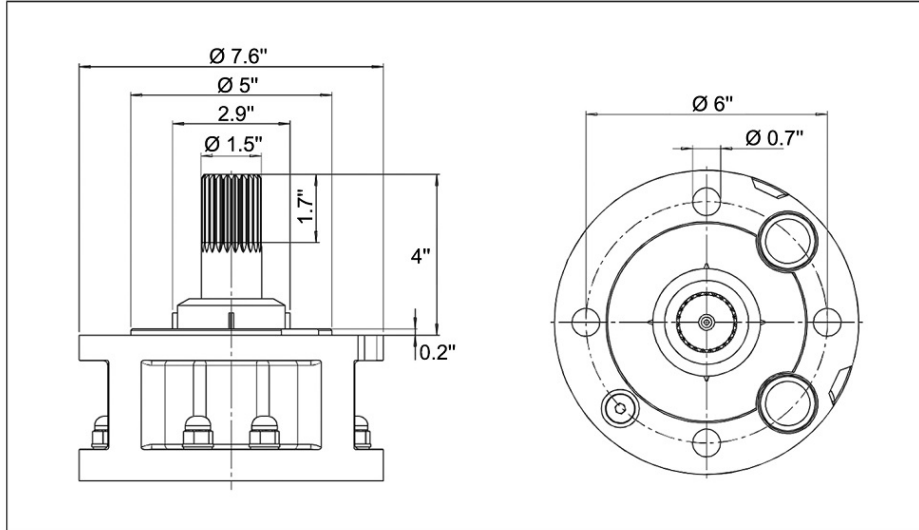
2

Receiver

From

 Company name  
 Respons. Department  
 Person in charge  
 Phone number  
 Fax no  
 E-mail address

### Coupling Dimensions:



### Datasheet:

Model		8F60
<b>P<sub>MAX</sub></b>	<b>HP</b>	60
	<b>kW</b>	45
<b>U<sub>N</sub></b>	<b>V</b>	460
<b>I<sub>N</sub></b>	<b>A</b>	79
<b>I<sub>A</sub></b>	<b>A</b>	316
<b>η (Eff.) %</b>	<b>2/4</b>	83.4
	<b>3/4</b>	86
	<b>4/4</b>	86
<b>COSφ (PF)</b>	<b>2/4</b>	0.71
	<b>3/4</b>	0.79
	<b>4/4</b>	0.84
<b>RPM</b>	<b>n</b>	3500
<b>Thrust</b>	<b>N</b>	50000
<b>Max. water T in °F</b>	<b>PVC</b>	86
	<b>PE2 + PA</b>	140
	<b>HT</b>	167
<b>Cable Ø</b>	<b>(mm<sup>2</sup>)</b>	(1x10)x3
<b>Cable L</b>	<b>ft</b>	11.5

Project

Project ID

Created by

Created on

Last update



# Parts List and Materials

## Submersible Motor- 8F60

Revision no.

Page:  
1

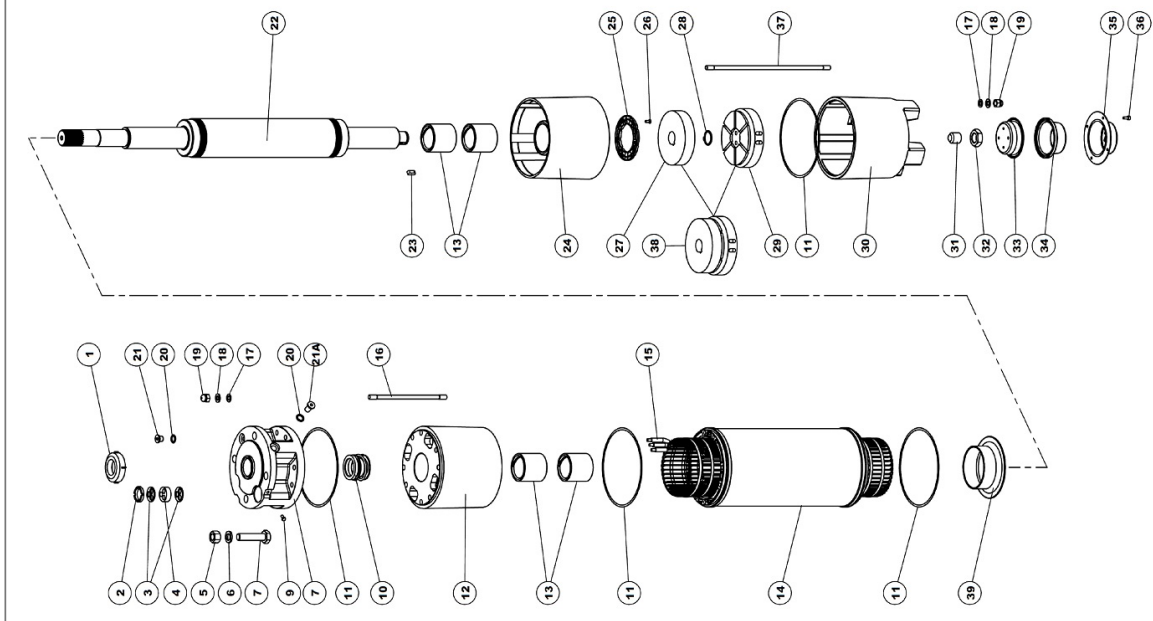
Receiver

From

Company name  
Respons. Department  
Person in charge  
Phone number  
Fax no  
E-mail address

Pos.	Qt.	Components	Standard
21	1	Plug	AISI 316 / Wr 14401
21A	1	Valve	AISI 316 / Wr 14401
22	1	Rotor	Duplex / Wr 14401
23	1	Key	Iron
24	1	Lower support	AISI 316 / Wr 14401
25	1	Striker disk	Plastic
26	1	Screw	AISI 316 / Wr 14401
27	4	Thrust disk	Steel/Graphite/Resin
28	1	Seeger ring	Iron
29	1	Thrust sliding	AISI 420
30	6	Base	AISI 316 / Wr 14401
31	1	Screw	Iron
32	1	Nut	Iron
33	1	Internal over	AISI 316 / Wr 14401
34	1	Membrane	NBR 60
35	1	External cover	AISI 316 / Wr 14401
36	4	Screw	AISI 316 / Wr 14401
37	8	Lower tension rod	AISI 316 / Wr 14401
38	1	Complete thrust bearing	-
39	1	Protective ring	PA 66

Pos.	Qt.	Components	Standard
1	1	Sand guard	NBR 90
2	1/2	Ring nut	AISI 316 / Wr 14401
3	2/4	Cable-press	Plastic
4	1/2	Cable-press gasket	NBR 45
5	4	Nut	AISI 316 / Wr 14401
6	4	Washer	AISI 316 / Wr 14401
7	1	Upper flange	AISI 316 / Wr 14401
8	4	Screw	AISI 316 / Wr 14401
9	1	Screw	AISI 316 / Wr 14401
10	1	Mechanical seal	SIC-SIC + NBR
11	4	Gasket	Paper
12	1	Upper support	AISI 316 / Wr 14401
13	2/3/4	Seal bushing	Graphite
14	1	Stator	AISI 316 / Wr 14401
15	3/6	Single core round cable	EPR 0.6-1 KV
16	8	Upper tension rod	AISI 316 / Wr 14401
17	16	Gasket	-
18	16	Washer	AISI 316 / Wr 14401
19	16	Nut	AISI 316 / Wr 14401
20	2	Washer	-



Project

Project ID

Created by

Created on

Last update