



Technical Data

Submersible Motor- 8F150

Revision no.

Page:

1

Receiver

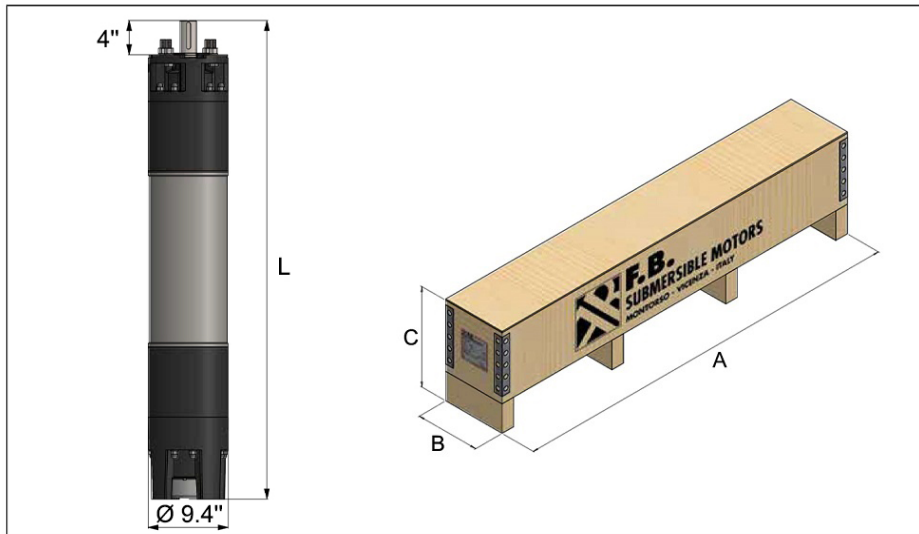
From

 Company name
 Respons. Department
 Person in charge
 Phone number
 Fax no
 E-mail address



Brand: F.B.
Model: 8F150

Dimensions:



L	Net Weight	Case Dimensions (in)			Gross Weight
in	lb	A	B	C	lb
74.4	587.4	74.8	11	15.7	624.4

Project

Project ID

Created by

Created on

Last update



Technical Data

Submersible Motor- 8F150

Revision no.

Page:

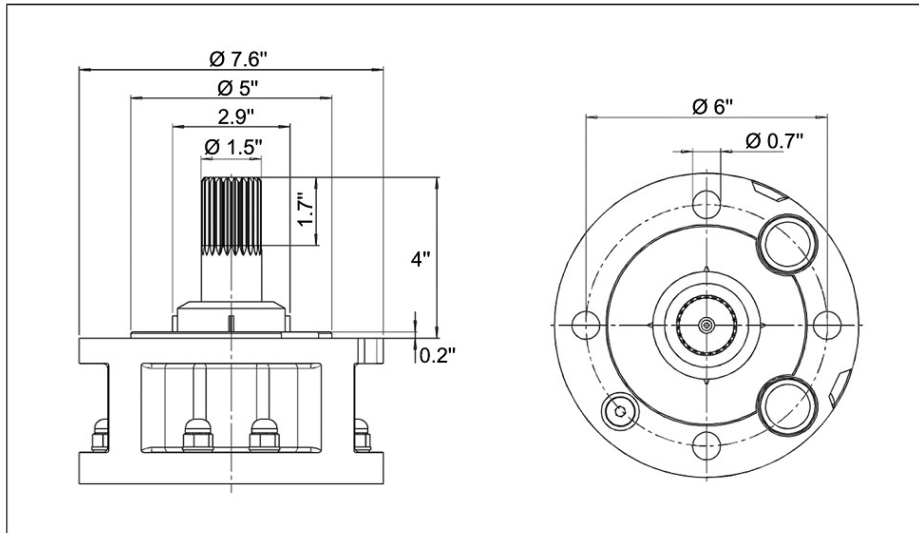
2

Receiver

From

 Company name
 Respons. Department
 Person in charge
 Phone number
 Fax no
 E-mail address

Coupling Dimensions:



Datasheet:

Model		8F150
P_{MAX}	HP	150
	kW	110
U_N	V	460
I_N	A	198
I_A	A	792
η (Eff.) %	2/4	85.7
	3/4	86.2
	4/4	86.3
COSφ (PF)	2/4	0.62
	3/4	0.74
	4/4	0.81
RPM	n	3499
Thrust	N	70000
Max. water T in °F	PVC	-
	PE2 + PA	122
	HT	-
Cable Ø	(mm²)	(1x25)x3
Cable L	ft	14.8

Project

Project ID

Created by

Created on

Last update



Parts List and Materials

Submersible Motor- 8F150

Revision no.

Page:

1

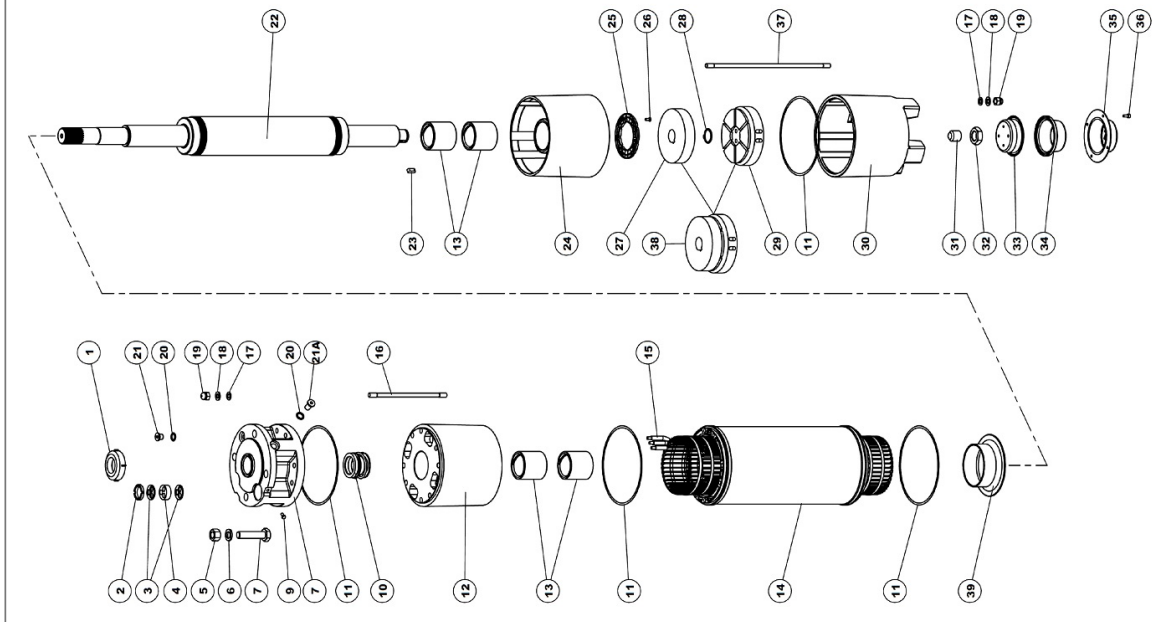
Receiver

From

Company name
 Respons. Department
 Person in charge
 Phone number
 Fax no
 E-mail address

Pos.	Qt.	Components	Standard
21	1	Plug	AISI 316 / Wr 14401
21A	1	Valve	AISI 316 / Wr 14401
22	1	Rotor	Duplex / Wr 14401
23	1	Key	Iron
24	1	Lower support	AISI 316 / Wr 14401
25	1	Striker disk	Plastic
26	1	Screw	AISI 316 / Wr 14401
27	4	Thrust disk	Steel/Graphite/Resin
28	1	Seeger ring	Iron
29	1	Thrust sliding	AISI 420
30	6	Base	AISI 316 / Wr 14401
31	1	Screw	Iron
32	1	Nut	Iron
33	1	Internal over	AISI 316 / Wr 14401
34	1	Membrane	NBR 60
35	1	External cover	AISI 316 / Wr 14401
36	4	Screw	AISI 316 / Wr 14401
37	8	Lower tension rod	AISI 316 / Wr 14401
38	1	Complete thrust bearing	-
39	1	Protective ring	PA 66

Pos.	Qt.	Components	Standard
1	1	Sand guard	NBR 90
2	1/2	Ring nut	AISI 316 / Wr 14401
3	2/4	Cable-press	Plastic
4	1/2	Cable-press gasket	NBR 45
5	4	Nut	AISI 316 / Wr 14401
6	4	Washer	AISI 316 / Wr 14401
7	1	Upper flange	AISI 316 / Wr 14401
8	4	Screw	AISI 316 / Wr 14401
9	1	Screw	AISI 316 / Wr 14401
10	1	Mechanical seal	SIC-SIC + NBR
11	4	Gasket	Paper
12	1	Upper support	AISI 316 / Wr 14401
13	2/3/4	Seal bushing	Graphite
14	1	Stator	AISI 316 / Wr 14401
15	3/6	Single core round cable	EPR 0.6-1 KV
16	8	Upper tension rod	AISI 316 / Wr 14401
17	16	Gasket	-
18	16	Washer	AISI 316 / Wr 14401
19	16	Nut	AISI 316 / Wr 14401
20	2	Washer	-



Project

Project ID

Created by

Created on

Last update