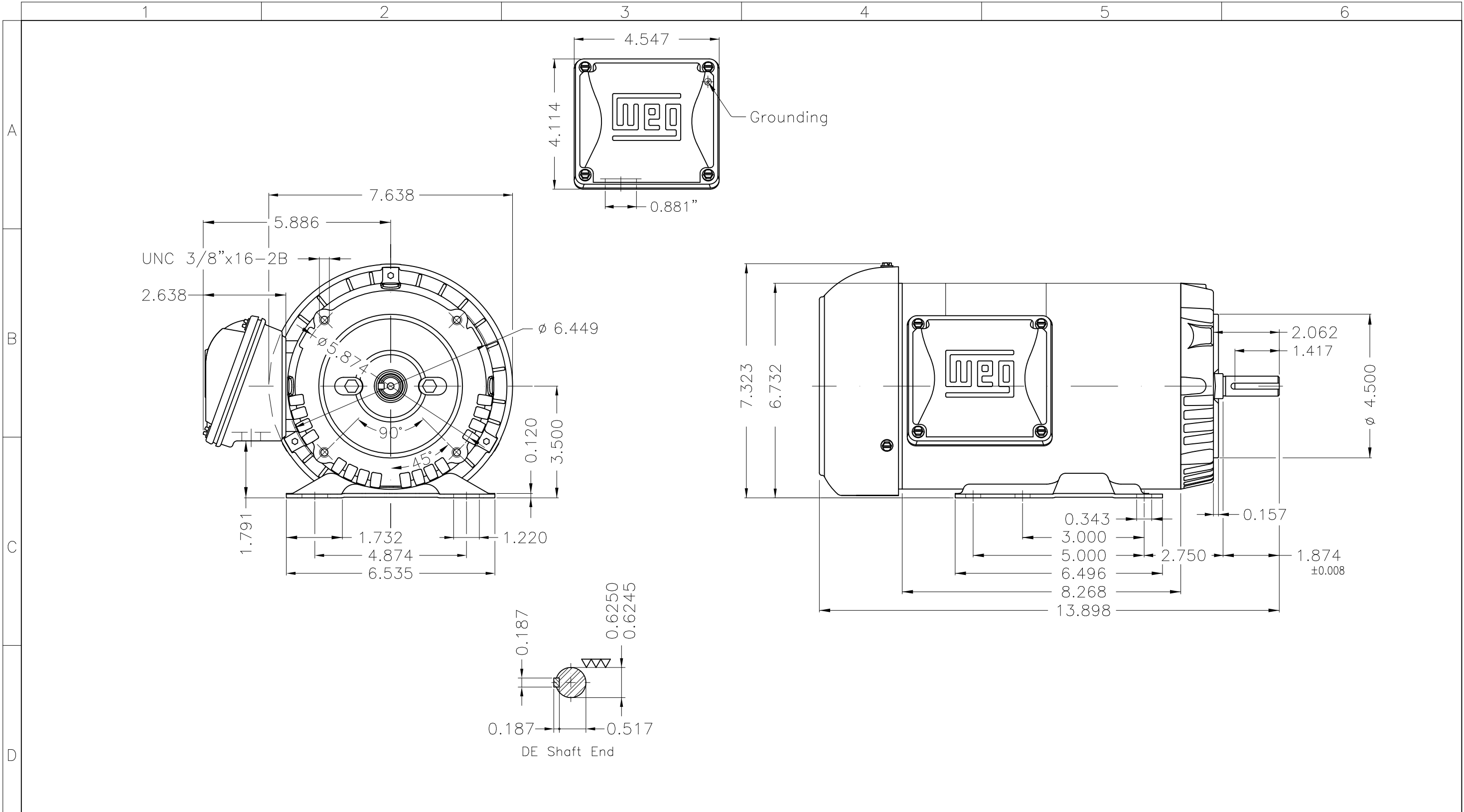


DATA SHEET



Three Phase Induction Motor - Squirrel Cage

| | | | | | |
|--|---|-----------------------------|--|---------------------------------------|----------|
| Customer : | | | | | |
| Product line : Rolled Steel Premium Efficiency Three-Phase | | Product code : 14799098 | | | |
| | | Catalog # : 00218ET3E56C-S | | | |
| Frame : 56HC | Output : 2 HP (1.5 kW) | Poles : 4 | Frequency : 60 Hz | Rated voltage : 230/460 V | |
| Rated current : 5.44/2.72 A | L. R. Amperes : 44.6/22.3 A | LRC : 8.2x(Code K) | No load current : 2.80/1.40 A | Rated speed : 1745 rpm | |
| Slip : 3.06 % | Rated torque : 6.02 ft.lb | Locked rotor torque : 270 % | Breakdown torque : 300 % | Insulation class : F | |
| Service factor : 1.15 | Moment of inertia (J) : 0.1296 sq.ft.lb | Design : B | Locked rotor time : 27s (cold) 15s (hot) | Temperature rise : 80 K | |
| | | | Duty cycle : Cont.(S1) | Ambient temperature : -20°C to +40°C | |
| | | | Altitude : 1000 m.a.s.l. | Protection degree : IP55 | |
| | | | Cooling method : IC411 - TEFC | Mounting : F-1 | |
| | | | Rotation ¹ : Both (CW and CCW) | Noise level ² : 52.0 dB(A) | |
| | | | Starting method : Direct On Line | Approx. weight ³ : 42.7 lb | |
| Output | 25% | 50% | 75% | 100% | |
| Efficiency (%) | 86.0 | 85.5 | 87.5 | 86.5 | |
| Power Factor | 0.35 | 0.60 | 0.73 | 0.80 | |
| Foundation loads | | | | | |
| Max. traction : 194 lb | | | | | |
| Max. compression : 237 lb | | | | | |
| Bearing type : | <u>Drive end</u> 6204 ZZ | | <u>Non drive end</u> 6202 ZZ | | |
| Sealing : | V'Ring | | Without Bearing Seal | | |
| Lubrication interval : | - | | - | | |
| Lubricant amount : | - | | - | | |
| Lubricant type : | Mobil Polyrex EM | | | | |
| Notes USABLE @208V 6.02A SF 1.00 SFA 6.02A | | | | | |
| This revision replaces and cancel the previous one, which must be eliminated. (1) Looking the motor from the shaft end. (2) Measured at 1m and with tolerance of +3dB(A). (3) Approximate weight subject to changes after manufacturing process. (4) At 100% of full load. | | | These are average values based on tests with sinusoidal power supply, subject to the tolerances stipulated in NEMA MG-1. | | |
| Rev. | Changes Summary | | Performed | Checked | Date |
| Performed by | | | | | |
| Checked by | | | | | |
| Date | 06/11/2023 | | | Page 1 / 1 | Revision |



Fan cover - steel plate
 Color Munsell N 1 matte black
 Painting plan 207N
 Mounting F-1/B34R(D)

| | | | | | | | | | | | | | | | | | |
|-----------|-----------|---|----------------|---------------------|--|-----------|---------|----------|------|-----|--|---------|--|-------|--|--|--|
| | | | | | | USERADMIN | | | | | | | | 00 | | | |
| ECM | LOC | SUMMARY OF MODIFICATIONS | | | | EXECUTED | CHECKED | RELEASED | DATE | VER | | | | | | | |
| EXECUTED | USERADMIN | THREE PH. MOTOR ROLLED STEEL PREM. EFF. | | | | | | | | | | PREVIEW | | | | | |
| CHECKED | | FRAME 56HC IP55 TEFC | | | | | | | | | | WDD | | 00 | | | |
| RELEASED | | | | | | | | | | | | SHEET | | 1 / 1 | | | |
| REL. DATE | | WMO | Jaragua do Sul | Product Engineering | | | | | | | | | | | | | |

2 HP 04 Poles 60 Hz

A



**NEMA**
Premium3PT9
UL US LISTED
FOR SAFE AREA**SP** US
Energy Verified

MADE IN BRAZIL

MAT: 14799098 CC029A

W01.TE0IC0X0X

MODEL 00218ET3E56C-S

17OCT2023 B/N:

For 60Hz: Class I, Zone 2, IIC

Class I, Div.2, Gr. A,B,C,D - T3

Div 2 Inverter Duty (SF1.00)

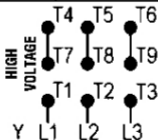
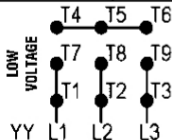
CT 2:1/VT 1000:1

| | | |
|------------------|--------|------------------------|
| PH 3 | Hz 60 | HP 2.0 |
| FR 56HC | | kW 1.5 |
| DUTY CONT. | | V 230/460 |
| ALT 1000 m.a.s.l | | A 5.44/2.72 |
| INS CL F ΔT 80K | IP55 | SFA 6.26/3.13 |
| AMB 40°C | DES B | SF 1.15 |
| ENCL TEFC | CODE K | PF 0.80 |
| | | RPM 1745 |
| | | NEMA NOM. EFF 86.5% |

| | | | |
|-------------------------|---------|------------------|-------------------|
| ALTERNATE RATING: 2.0HP | 50Hz | 190-220/380-415V | SF1.15 |
| 6.50-5.79/3.25-3.07A | 1415RPM | EFF 82.6% | {IE1} IEC 60034-1 |

For safe area-inverter duty motor For 60Hz use on VPWM 1000:1 VT, 5:1 CT

| | | |
|------------|-------------|------------------|
| DE 6204-ZZ | ODE 6202-ZZ | MOBIL POLYREX EM |
|------------|-------------|------------------|



T1-BLU T2-WHT
T3-ORG T4-YEL
T5-BLK T6-GRY
T7-PNK T8-RED
T9-RED BRK

INTERCHANGE ANY TWO LINE WIRES TO REVERSE THE ROTATION

WARNING: Motor must be grounded in accordance with local and national electrical codes to prevent serious electrical shocks. Disconnect power source before servicing unit.



AVERTISSEMENT: Le moteur doit être mis à la terre conformément aux codes électriques locaux et nationaux afin d'éviter tout choc électrique grave. Déconnectez l'alimentation avant l'entretien de la machine.

