

DATA SHEET



Three Phase Induction Motor - Squirrel Cage

Customer :						
Product line : W22 NEMA Premium Efficiency Three-Phase	Product code : 11458046 Catalog # : 00218ET3ER145TC-W22					
Frame : 145TC Output : 2 HP (1.5 kW) Poles : 4 Frequency : 60 Hz Rated voltage : 230/460 V Rated current : 5.58/2.79 A L. R. Amperes : 46.3/23.2 A LRC : 8.3x(Code L) No load current : 3.26/1.63 A Rated speed : 1750 rpm Slip : 2.78 % Rated torque : 6.00 ft.lb Locked rotor torque : 270 % Breakdown torque : 320 % Insulation class : F Service factor : 1.25 Moment of inertia (J) : 0.1561 sq.ft.lb Design : B	Locked rotor time : 18s (cold) 10s (hot) Temperature rise : 80 K Duty cycle : Cont.(S1) Ambient temperature : -20°C to +40°C Altitude : 1000 m.a.s.l. Protection degree : IP55 Cooling method : IC411 - TEFC Mounting : W-6 Rotation ¹ : Both (CW and CCW) Noise level ² : 51.0 dB(A) Starting method : Direct On Line Approx. weight ³ : 50.8 lb					
Output 25% 50% 75% 100% Efficiency (%) 85.2 85.5 86.5 86.5 Power Factor 0.32 0.57 0.70 0.78	Foundation loads Max. traction : 157 lb Max. compression : 208 lb					
Losses at normative operating points (speed;torque), in percentage of rated output power						
P1 (0,9;1,0)	P2 (0,5;1,0)	P3 (0,25;1,0)	P4 (0,9;0,5)	P5 (0,5;0,5)	P6 (0,5;0,25)	P7 (0,25;0,25)
15.0	12.8	12.1	8.4	6.0	4.7	3.5
		<u>Drive end</u>			<u>Non drive end</u>	
Bearing type	:	6205 ZZ			6204 ZZ	
Sealing	:	V'Ring			V'Ring	
Lubrication interval	:	-			-	
Lubricant amount	:	-			-	
Lubricant type	:	Mobil Polyrex EM				
Notes USABLE @208V 5.85A SF 1.15 SFA 6.73A						
This revision replaces and cancel the previous one, which must be eliminated. (1) Looking the motor from the shaft end. (2) Measured at 1m and with tolerance of +3dB(A). (3) Approximate weight subject to changes after manufacturing process. (4) At 100% of full load.				These are average values based on tests with sinusoidal power supply, subject to the tolerances stipulated in NEMA MG-1.		
Rev.	Changes Summary			Performed	Checked	Date
Performed by						
Checked by					Page	Revision
Date	06/11/2023				1 / 1	

1 2 3 4 5 6

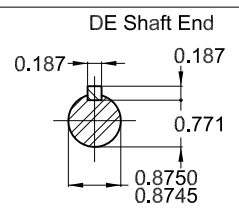
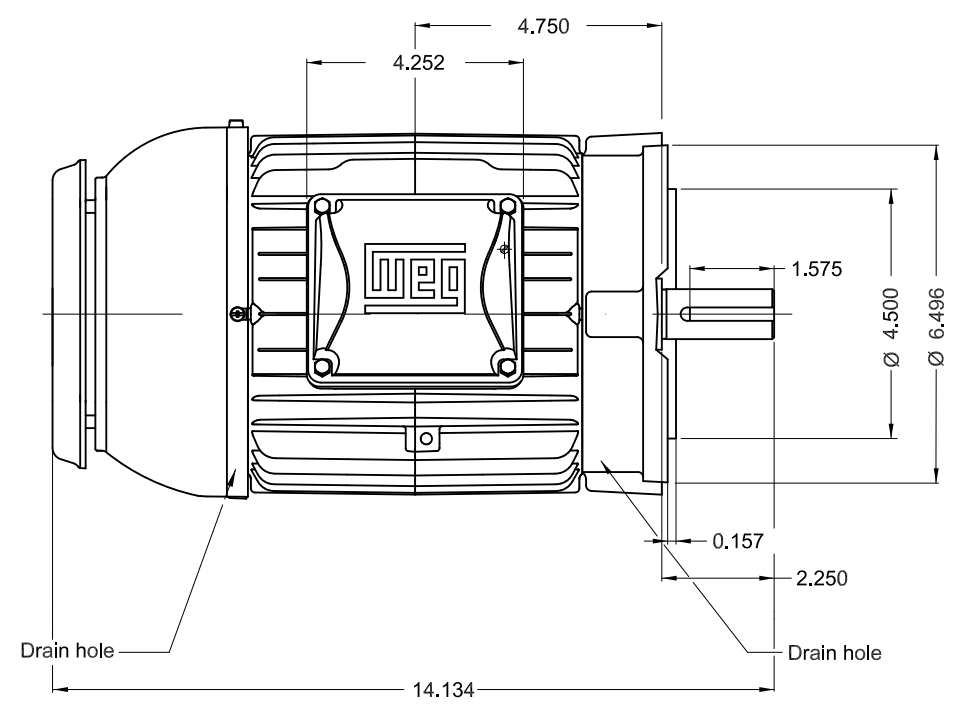
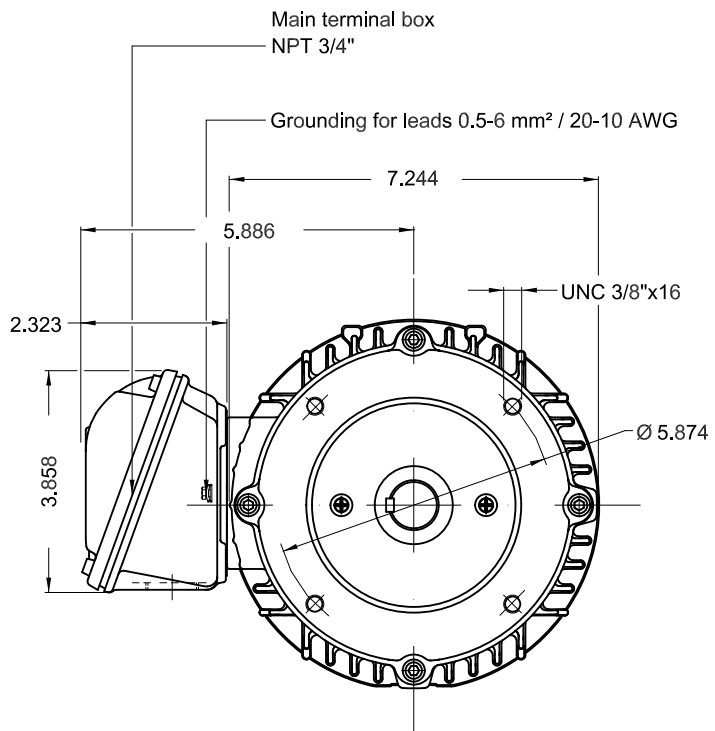
A

B

C

D

E



Bearing cap
Color RAL 5009
Painting plan 207A
Mounting V18

2 HP 04 Poles 60 Hz A

						USERADMIN								00	
ECM	LOC	SUMMARY OF MODIFICATIONS				EXECUTED	CHECKED	RELEASED	DATE	VER					
EXECUTED	USERADMIN	THREE PH. MOTOR W22 NEMA PREM. EFF.				EXECUTED		CHECKED		RELEASED		DATE		VER	
CHECKED		FRAME 145TC IP55 TEFC				EXECUTED		CHECKED		RELEASED		DATE		VER	
RELEASED						EXECUTED		CHECKED		RELEASED		DATE		VER	
REL. DATE		WMO Jaragua do Sul				Product Engineering		SHEET		1 / 1		DATE		VER	

PREVIEW
WDD 00





W22

MODEL 00218ET3ER145TC-W22

Inverter Duty Motor
Severe Duty



For use on 60Hz
Class I, Div 2, Gr A, B, C and D - T3
Class I, Zone 2, IIC - T3
Class II, Div 2, Gr F and G - T5
For use on PWM: Gr. A, B, C, D, F and G,
VT 1000:1, CT 20:1, 1.00SF - T4A



FOR SAFE AREA
Mod.TE1BFOXON
CC029A

MADE IN MEXICO
11458046

PH3 60Hz Fr. 145TC 1000m.a.s.l. IP55 TEFC 51lb

V 230/460

A 5.58/2.79

HP 2.0

kW 1.5

SF 1.25

SFA 6.97/3.49

RPM 1750

PF 0.78

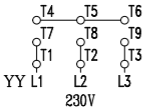
AMB 40°C

INS cl. F DT80K NEMA NOM EFF 86.5%

DUTY CONT.

DES B Code L

2.0HP 1.5kW 50Hz 380V 3.33A 1435RPM SF 1.25 SFA 4.16 EFF 82.5% (IE1)



MOBIL POLYREX EM