



Technical Data

Vertical Multistage - SBI 1-27

Revision no.

Page:
 1

Receiver

From

Company name
 Respons. Department
 Person in charge
 Phone number
 Fax no
 E-mail address

| |
|--|
| |
| |
| |
| |
| |

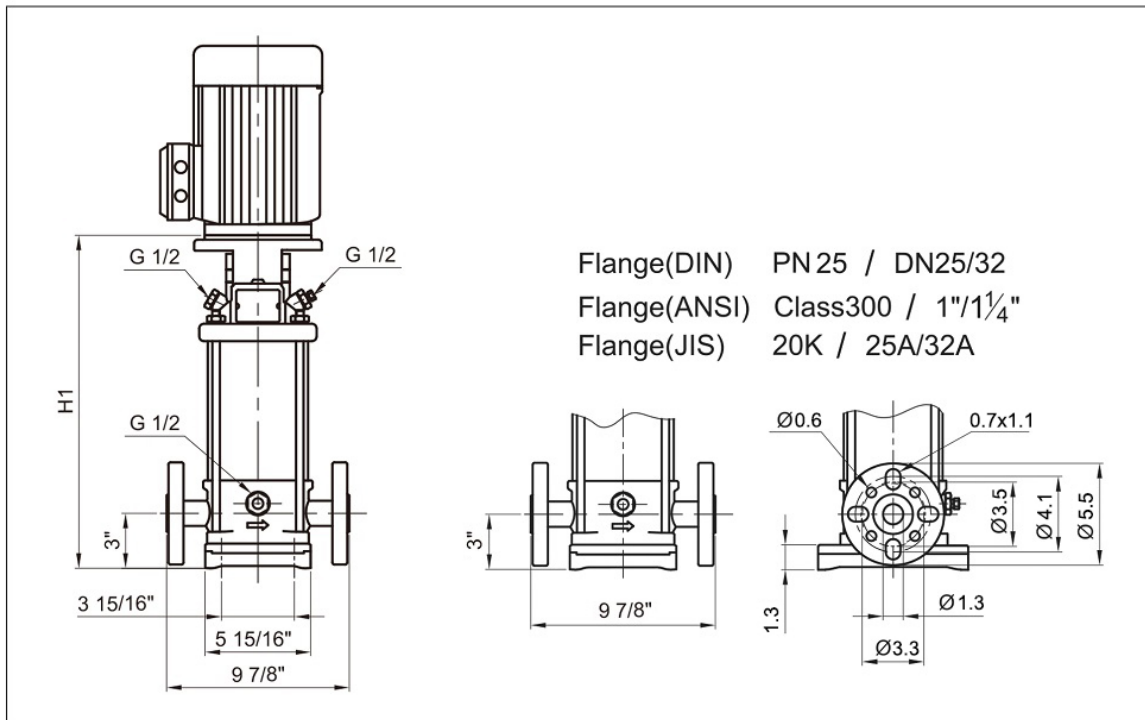
| |
|--|
| |
| |
| |
| |
| |



Brand: Gol Pumps
Model: SBI 1-27



Dimensions:



Flange(DIN) PN 25 / DN25/32
 Flange(ANSI) Class300 / 1"1 1/4"
 Flange(JIS) 20K / 25A/32A

| Pump Installation Size (inch) | | | | | | |
|-------------------------------|------|-----------|-------|-----|-----|------------|
| DIN Flange | | Port Size | | D1 | D2 | Net Weight |
| H1 | H2 | DNA | DNM | | | Lb. |
| 29.2 | 41.6 | 1 1/4 | 1 1/4 | 7.8 | 5.8 | 116.4 |

| | | | | |
|---------|------------|------------|------------|-------------|
| Project | Project ID | Created by | Created on | Last update |
|---------|------------|------------|------------|-------------|



Performance Curves

Vertical Multistage - SBI 1-27

Revision no.

Page:
2

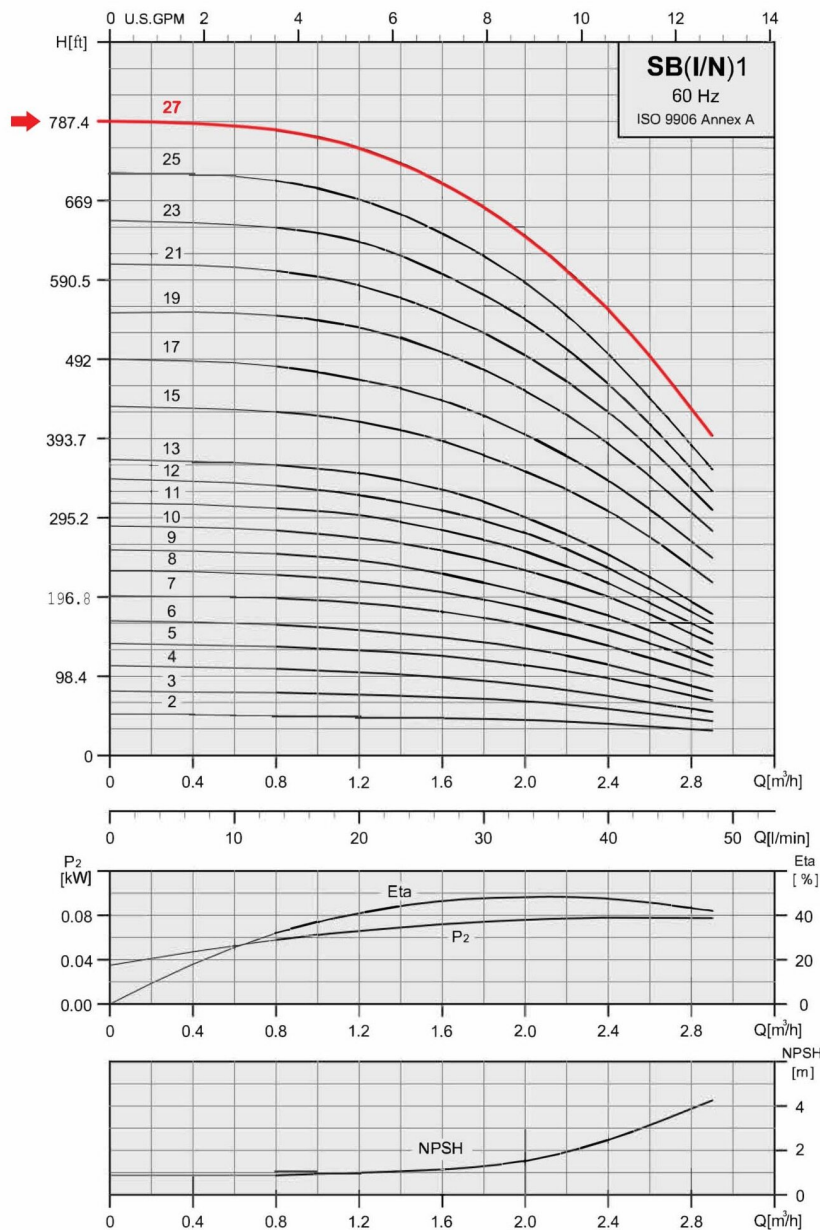
Receiver

From

Company name
Respons. Department
Person in charge
Phone number
Fax no
E-mail address

| | |
|--|--|
| | |
| | |
| | |
| | |
| | |
| | |

| Model | Port Size (in.) | | Flow | HP | Volts | Amps | Phase | Max. Head | Max. Suction | Max. PSI |
|-----------------|-----------------|-------|------|----|---------|----------|-------|-----------|--------------|----------|
| | DNA | DNM | GPH | | V | I Max. | Ph | Ft. | Ft. | |
| SBI 1-27 | 1 1/4 | 1 1/4 | 780 | 4 | 230/460 | 11.4/6.1 | Three | 787 | 17 | 348 |



| | | | | |
|---------|------------|------------|------------|-------------|
| Project | Project ID | Created by | Created on | Last update |
|---------|------------|------------|------------|-------------|



Parts and Materials

Vertical Multistage - SBI 1-27

Revision no.

Page:

3

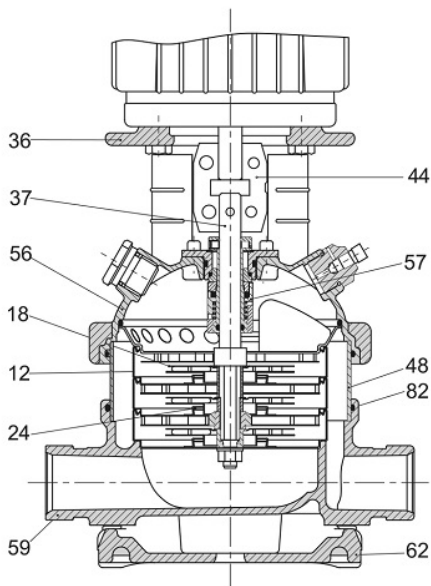
Receiver

From

 Company name
 Respons. Department
 Person in charge
 Phone number
 Fax no
 E-mail address

| |
|--|
| |
| |
| |
| |
| |

| |
|--|
| |
| |
| |
| |
| |



| Parts List | Material | Standard |
|----------------------------|-----------------|---------------|
| 36 Pump Head | Cast Iron | ASTM 65-45-12 |
| 56 Pump Head Cover | Stainless Steel | AISI 304 |
| 18 Impeller | Stainless Steel | AISI 304 |
| 37 Shaft | Stainless Steel | AISI 304 |
| 48 Outer Sleeve | Stainless Steel | AISI 304 |
| 82 O-ring for Outer Sleeve | EPDM | |
| 12 Chamber | Stainless Steel | AISI 304 |
| 24 Neck Ring | PTFE | |
| 59 Base | Cast Iron | |
| 62 Base Plate | Cast Iron | ASTM 25B |
| 44 Coupling | Fe-Cu-C | MPIF FC0525 |
| 57 Mechanical Seal | Cartridge Type | |

Project

Project ID

Created by

Created on

Last update