

DATA SHEET



Three Phase Induction Motor - Squirrel Cage

Customer : _____

Product line : Multimounting IE3 Three-Phase Product code : 14052129
 Catalog # : 00718ET3YAL132MFF-W2

Frame : 132M	Cooling method : IC411 - TEFC
Insulation class : F	Mounting : B35L(E)
Duty cycle : S1	Rotation ¹ : Both (CW and CCW)
Ambient temperature : -20°C to +40°C	Starting method : Direct On Line
Altitude : 1000 m.a.s.l.	Approx. weight ³ : 161 lb
Protection degree : IP55	Moment of inertia (J) : 1.52 sq.ft.lb
Design : N	

Output [HP]	10	10	10	
Poles	4	4	4	
Frequency [Hz]	50	50	60	
Rated voltage [V]	380	415	460	
Rated current [A]	14.5	14.0	12.7	
L. R. Amperes [A]	123	140	133	
LRC [A]	8.5	10.0	10.5	
No load current [A]	6.20	7.20	6.30	
Rated speed [RPM]	1460	1470	1770	
Slip [%]	2.67	2.00	1.67	
Rated torque [ft.lb]	36.0	35.7	29.7	
Locked rotor torque [%]	220	280	270	
Breakdown torque [%]	300	370	420	
Service factor	1.25	1.25	1.25	
Temperature rise	80 K	80 K	80 K	
Locked rotor time	23s (cold) 0s (hot)	21s (cold) 0s (hot)	27s (cold) 0s (hot)	
Noise level ²	56.0 dB(A)	56.0 dB(A)	58.0 dB(A)	
Efficiency (%)	25%	91.0	90.0	89.4
	50%	91.0	90.5	90.2
	75%	91.5	91.4	91.0
	100%	91.2	91.7	91.7
Power Factor	25%	0.43	0.37	0.38
	50%	0.70	0.64	0.65
	75%	0.81	0.76	0.76
	100%	0.86	0.81	0.81

Losses at normative operating points (speed;torque), in percentage of rated output power

Losses (%)	P1 (0,9;1,0)	9.4	8.8	8.8
	P2 (0,5;1,0)	7.4	7.0	7.0
	P3 (0,25;1,0)	6.8	6.3	6.3
	P4 (0,9;0,5)	5.6	5.2	5.2
	P5 (0,5;0,5)	3.7	3.5	3.5
	P6 (0,5;0,25)	2.8	2.7	2.7
	P7 (0,25;0,25)	1.9	1.8	1.8

	<u>Drive end</u>	<u>Non drive end</u>	Foundation loads
Bearing type :	6308 ZZ	6207 ZZ	Max. traction : 622 lb
Sealing :	V'Ring	V'Ring	Max. compression : 783 lb
Lubrication interval :	-	-	
Lubricant amount :	-	-	
Lubricant type :	Mobil Polyrex EM		

This revision replaces and cancel the previous one, which must be eliminated.
 (1) Looking the motor from the shaft end.
 (2) Measured at 1m and with tolerance of +3dB(A).
 (3) Approximate weight subject to changes after manufacturing process.

These are average values based on tests with sinusoidal power supply, subject to the tolerances stipulated in NEMA MG-1.

Rev.	Changes Summary	Performed	Checked	Date
Performed by			Page	Revision
Checked by				
Date	10/10/2023			

DATA SHEET

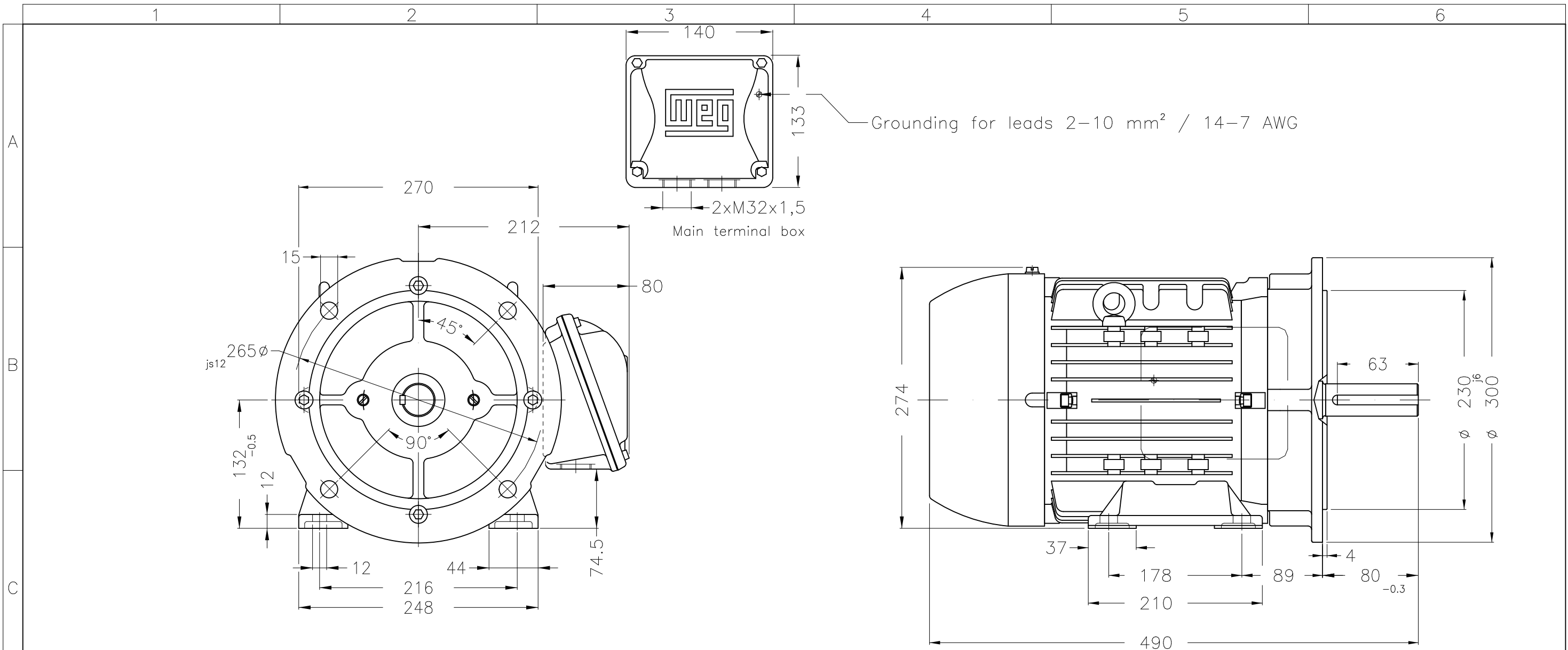


Three Phase Induction Motor - Squirrel Cage

Customer : _____

Notes

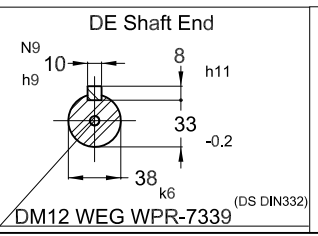
Rev.	Changes Summary	Performed	Checked	Date
Performed by				
Checked by			Page	Revision
Date	10/10/2023		2 / 2	



Grounding for leads 2-10 mm² / 14-7 AWG

2xM32x1,5
Main terminal box

Bearing cap
Color RAL 5009
Painting plan 207N
Mounting B35L(E)



10 HP 04 Poles 60 Hz						A			
HYBRISUSER						00			
ECM	LOC	SUMMARY OF MODIFICATIONS			EXECUTED	CHECKED	RELEASED	DATE	VER
EXECUTED	HYBRISUSER	THREE PH. MOTOR MULTIMOUNTIN IE3			PREVIEW				
CHECKED		FRAME 132M IP55 TEFC			WDD 00				
RELEASED					SHEET		1 / 1		
REL. DATE		WMO	Jaragua do Sul	Product Engineering					

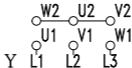


WEG Premium**W21 Tru-metric**

MODEL 00718ET3YAL132MFF-W2

Electric Motor
Severe DutyClass | Div 2, Gr A, B, C and D - T3C
Class | Zone 2, IIC - T3C
Class | Div 2, Gr F - T3C**UK CAEALC**FOR SAFE AREA
Mod.TE01A0X0\$
CC029A
Type ETPH3 Fr. AL132M DUTY CONT. IP55 DES N Code M IEC 60034-1
161lb 1000m.a.s.l. INS cl. F DT 80K AMB 40°C SF 1.25

V	Hz	kW	HP	RPM	A		SFA		PF	IE code	NEMA NOM EFF		
											η 100%/75%/50%		
460 Δ	-	60	7.5	10	1770	12.7	-	15.9	-	0.81	IE3	91.7/91.0/90.2	
380 Δ	-	50	7.5	10	1460	14.5	-	14.5	-	0.86	IE3	91.2/91.5/91.0	
415 Δ	-	50	7.5	10	1470	14.0	-	14.0	-	0.81	IE3	91.7/91.4/90.5	
-	-	-	-	-	-	-	-	-	-	-	-	-	



ONLY START



MOBIL POLYREX EM

MADE IN BRAZIL
14052129