

DATA SHEET



Three Phase Induction Motor - Squirrel Cage

Customer : _____

Product line : Multimounting IE3 Three-Phase Product code : 13984005
 Catalog # : 00118ET3WAL90SFF-W22

Frame : 90S/L	Cooling method : IC411 - TEFC
Insulation class : F	Mounting : B35L(E)
Duty cycle : S1	Rotation ¹ : Both (CW and CCW)
Ambient temperature : -20°C to +40°C	Starting method : Direct On Line
Altitude : 1000 m.a.s.l.	Approx. weight ³ : 43.3 lb
Protection degree : IP55	Moment of inertia (J) : 0.1305 sq.ft.lb
Design : N	

Output [HP]	1.5	1.5	1.5	
Poles	4	4	4	
Frequency [Hz]	50	50	60	
Rated voltage [V]	220/380	240/415	460	
Rated current [A]	4.13/2.39	4.05/2.34	2.05	
L. R. Amperes [A]	31.4/18.2	30.8/17.8	17.4	
LRC [A]	7.6	7.6	8.5	
No load current [A]	2.07/1.20	2.42/1.40	1.22	
Rated speed [RPM]	1445	1455	1755	
Slip [%]	3.67	3.00	2.50	
Rated torque [ft.lb]	5.45	5.41	4.49	
Locked rotor torque [%]	220	270	290	
Breakdown torque [%]	250	320	350	
Service factor	1.25	1.25	1.25	
Temperature rise	80 K	80 K	80 K	
Locked rotor time	27s (cold) 0s (hot)	27s (cold) 0s (hot)	27s (cold) 0s (hot)	
Noise level ²	49.0 dB(A)	49.0 dB(A)	51.0 dB(A)	
Efficiency (%)	25%	84.0	81.1	77.6
	50%	84.0	82.0	80.0
	75%	84.7	84.1	84.0
	100%	84.3	84.8	86.5
Power Factor	25%	0.38	0.32	0.34
	50%	0.64	0.55	0.57
	75%	0.76	0.69	0.70
	100%	0.83	0.77	0.78

Losses at normative operating points (speed;torque), in percentage of rated output power

Losses (%)	P1 (0,9;1,0)	17.4	16.7	14.6
	P2 (0,5;1,0)	14.2	13.7	11.9
	P3 (0,25;1,0)	14.5	14.0	12.2
	P4 (0,9;0,5)	10.3	9.9	8.6
	P5 (0,5;0,5)	7.1	6.8	6.0
	P6 (0,5;0,25)	5.6	5.4	4.7
	P7 (0,25;0,25)	4.1	4.0	3.4

	<u>Drive end</u>	<u>Non drive end</u>	Foundation loads
Bearing type :	6205 ZZ	6204 ZZ	Max. traction : 115 lb
Sealing :	V'Ring	V'Ring	Max. compression : 158 lb
Lubrication interval :	-	-	
Lubricant amount :	-	-	
Lubricant type :	Mobil Polyrex EM		

This revision replaces and cancel the previous one, which must be eliminated.
 (1) Looking the motor from the shaft end.
 (2) Measured at 1m and with tolerance of +3dB(A).
 (3) Approximate weight subject to changes after manufacturing process.

These are average values based on tests with sinusoidal power supply, subject to the tolerances stipulated in NEMA MG-1.

Rev.	Changes Summary	Performed	Checked	Date
Performed by			Page	Revision
Checked by			1 / 2	
Date	10/10/2023			

DATA SHEET

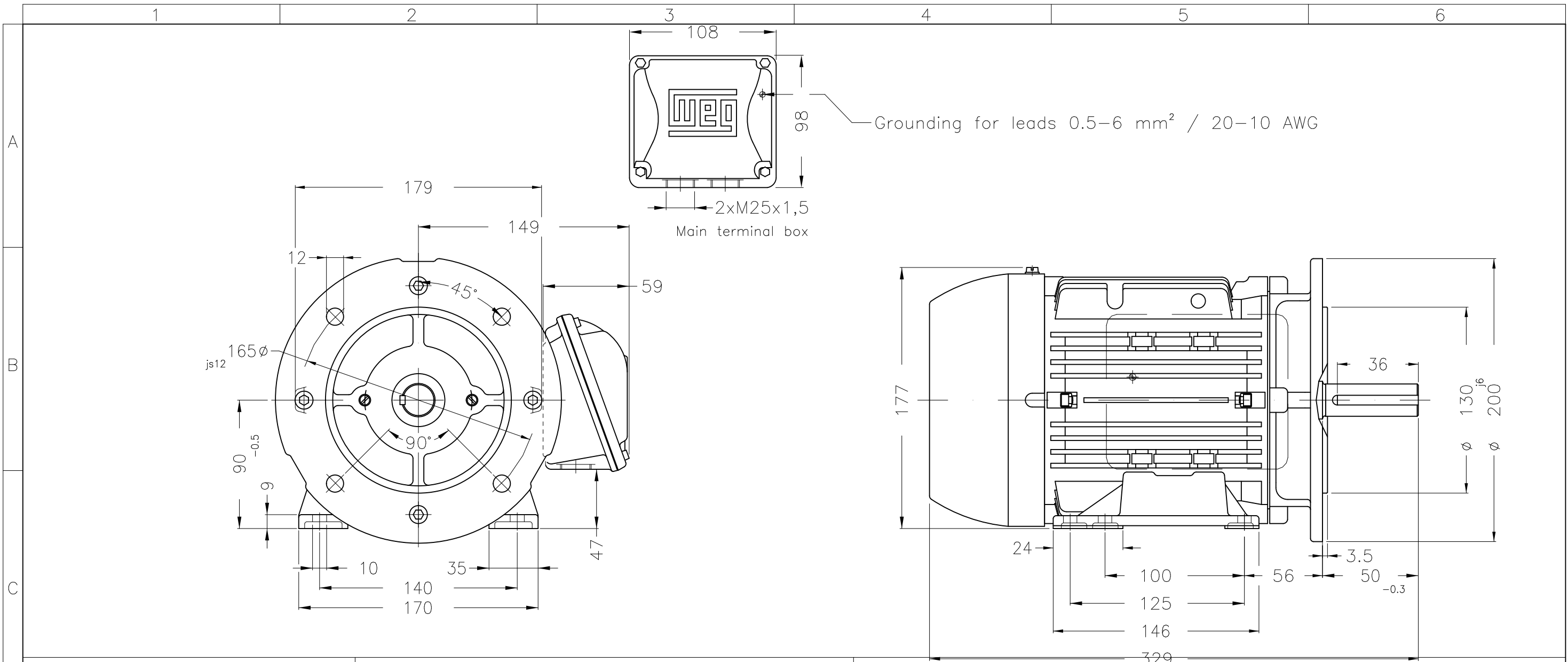


Three Phase Induction Motor - Squirrel Cage

Customer : _____

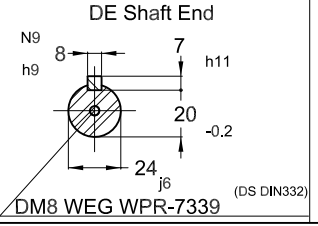
Notes

Rev.	Changes Summary	Performed	Checked	Date
Performed by				
Checked by			Page	Revision
Date	10/10/2023		2 / 2	



1.5 HP 04 Poles 60 Hz		A	
HYBRISUSER			
ECM	LOC	SUMMARY OF MODIFICATIONS	EXECUTED
EXECUTED	HYBRISUSER	THREE PH. MOTOR MULTIMOUNTIN IE3	CHECKED
CHECKED		FRAME 90S/L IP55 TEFC	RELEASED
RELEASED			DATE
REL. DATE	WMO	Jaragua do Sul	VER

Connection cables connected in the high voltage
Bearing cap
Color RAL 5009
Painting plan 207N
Mounting B35L(E)



HYBRISUSER		00	
PREVIEW		WDD 00	
SHEET		1 / 1	

Dimensions in mm

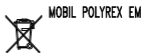
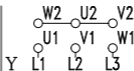
XME A3

WEQ Premium**W21 Tru-metric**

MODEL 00118ET3WAL90SFF-W22

Electric Motor
Severe DutyClass | Div 2, Gr A, B, C and D - T3C
Class | Zone 2, IIC - T3C
Class | Div 2, Gr F - T3C**UK CA EAC CE**FOR SAFE AREA
Mod. TE01A0X0\$
CC029A
Type ETPH3 Fr. AL90S/L DUTY CONT. IP55 DES N Code L IEC 60034-1
43lb 1000m.a.s.l. INS cl. F DT 80K AMB 40°C SF 1.25

	V	Hz	kW	HP	RPM	A		SFA		PF	IE code	NEMA NOM EFF
											η 100%/75%/50%	
-	460Y	60	1.1	1.5	1755	-	2.05	-	2.56	0.78	IE3	86.5/84.0/80.0
220Δ	380Y	50	1.1	1.5	1445	4.13	2.39	4.13	2.39	0.83	IE3	84.3/84.7/84.0
240Δ	415Y	50	1.1	1.5	1455	4.05	2.34	4.05	2.34	0.77	IE3	84.8/84.1/82.0
-	-	-	-	-	-	-	-	-	-	-	-	-

MADE IN BRAZIL
13984005