

DATA SHEET



Three Phase Induction Motor - Squirrel Cage

Customer : _____

Product line : Multimounting High Efficiency Three-Phase Product code : 14051984
 Catalog # : .5518EP3EAL80FF-W22

Frame : 80	Cooling method : IC411 - TEFC
Insulation class : F	Mounting : B35L(E)
Duty cycle : S1	Rotation ¹ : Both (CW and CCW)
Ambient temperature : -20°C to +40°C	Starting method : Direct On Line
Altitude : 1000 m.a.s.l.	Approx. weight ³ : 31.7 lb
Protection degree : IP55	Moment of inertia (J) : 0.0574 sq.ft.lb
Design : N	

Output [HP]	0.75	0.75	0.75
Poles	4	4	4
Frequency [Hz]	50	50	60
Rated voltage [V]	380	415	230/460
Rated current [A]	1.35	1.32	2.50/1.25
L. R. Amperes [A]	7.16	7.66	17.0/8.50
LRC [A]	5.3	5.8	6.8
No load current [A]	0.900	1.10	2.00/1.00
Rated speed [RPM]	1430	1440	1745
Slip [%]	4.67	4.00	3.06
Rated torque [ft.lb]	2.75	2.74	2.26
Locked rotor torque [%]	170	200	229
Breakdown torque [%]	229	280	300
Service factor	1.15	1.15	1.15
Temperature rise	80 K	80 K	80 K
Locked rotor time	18s (cold) 0s (hot)	18s (cold) 0s (hot)	18s (cold) 0s (hot)
Noise level ²	44.0 dB(A)	44.0 dB(A)	48.0 dB(A)
Efficiency (%)	25%	69.6	71.1
	50%	71.0	72.0
	75%	76.0	76.5
	100%	77.1	77.0
Power Factor	25%	0.33	0.26
	50%	0.59	0.50
	75%	0.72	0.63
	100%	0.80	0.72

Losses at normative operating points (speed;torque), in percentage of rated output power

Losses (%)	P1 (0,9;1,0)	27.7	27.7	27.9
	P2 (0,5;1,0)	22.2	22.2	22.3
	P3 (0,25;1,0)	22.2	22.2	22.3
	P4 (0,9;0,5)	20.2	20.2	20.3
	P5 (0,5;0,5)	14.0	14.0	14.1
	P6 (0,5;0,25)	12.8	12.8	12.9
	P7 (0,25;0,25)	9.0	9.0	9.1

	<u>Drive end</u>	<u>Non drive end</u>	Foundation loads
Bearing type :	6204 ZZ	6203 ZZ	Max. traction : 50 lb
Sealing :	Oil Seal	Oil Seal	Max. compression : 81 lb
Lubrication interval :	-	-	
Lubricant amount :	-	-	
Lubricant type :	Mobil Polyrex EM		

This revision replaces and cancel the previous one, which must be eliminated.
 (1) Looking the motor from the shaft end.
 (2) Measured at 1m and with tolerance of +3dB(A).
 (3) Approximate weight subject to changes after manufacturing process.

These are average values based on tests with sinusoidal power supply, subject to the tolerances stipulated in NEMA MG-1.

Rev.	Changes Summary	Performed	Checked	Date
Performed by			Page	Revision
Checked by				
Date	10/10/2023			

DATA SHEET

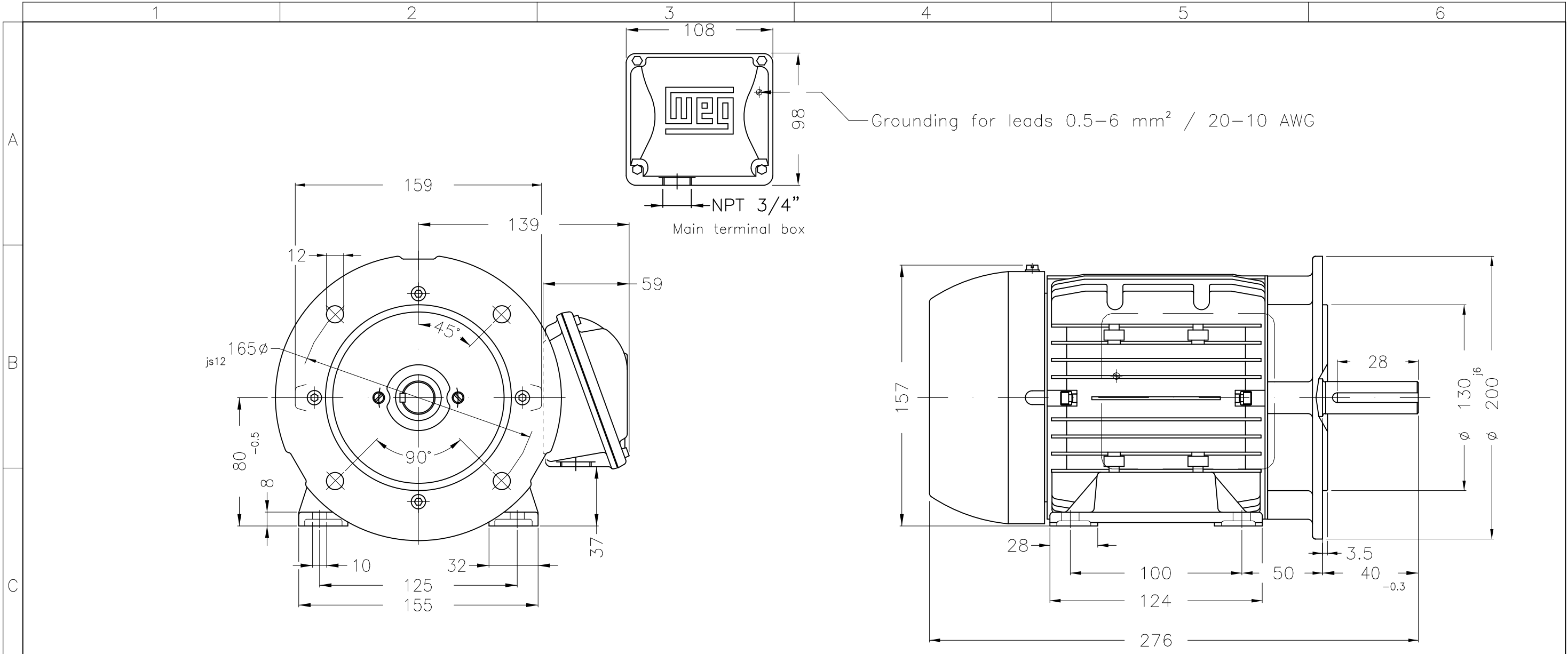


Three Phase Induction Motor - Squirrel Cage

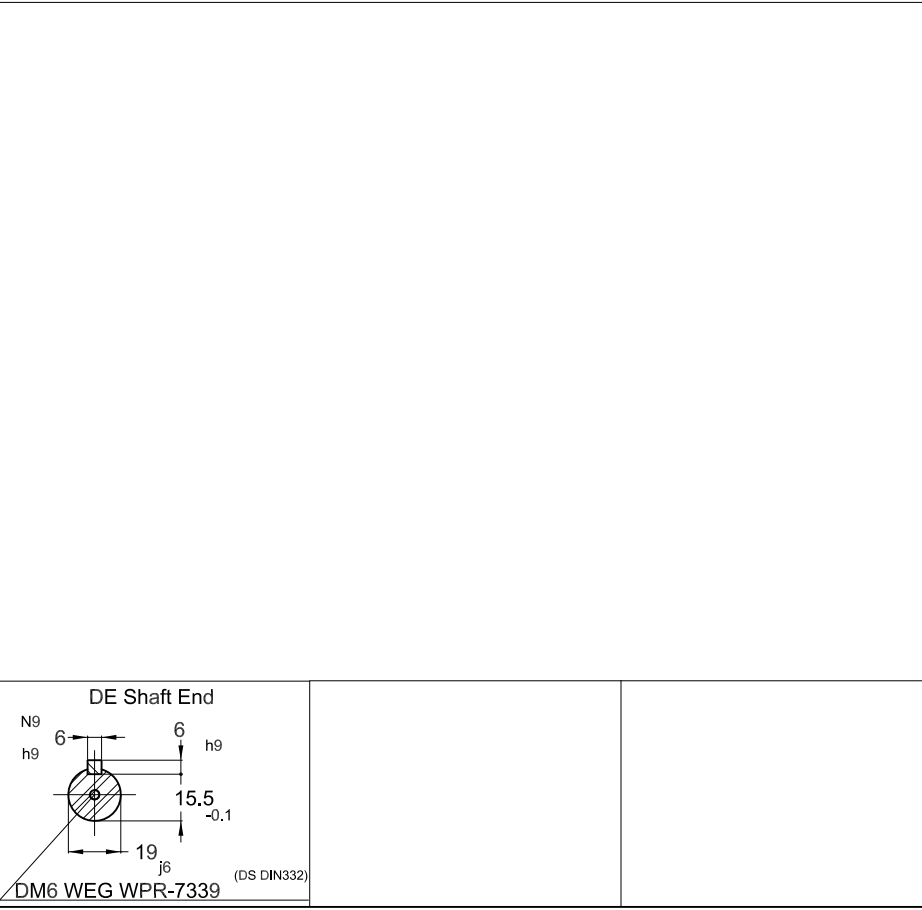
Customer : _____

Notes

Rev.	Changes Summary	Performed	Checked	Date
Performed by				
Checked by			Page	Revision
Date	10/10/2023		2 / 2	



Bearing cap
Color RAL 7022
Painting plan 207N
Mounting B35L(E)



0.75 HP 04 Poles 60 Hz						A
HYBRISUSER						00
ECM	LOC	SUMMARY OF MODIFICATIONS	EXECUTED	CHECKED	RELEASED	DATE
EXECUTED	HYBRISUSER	THREE PH. MOTOR MULTIMOUNTIN HIGH EFF.				
CHECKED		FRAME 80 IP55 TEFC				
RELEASED						
REL. DATE		WMO Jaragua do Sul	Product Engineering			
			PREVIEW		WDD 00	
			SHEET		1 / 1	

Dimensions in mm





W21 Tru-metric

MODEL .5518EP3EAL80FF-W22

Electric Motor
Severe Duty



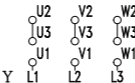
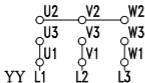
Class Div 2, Gr A, B, C and D - T3C
Class Zone 2, IIC - T3C
Class II, Div 2, Gr F - T3C

FOR SAFE AREA
Mod.TE01A0X0H
Type ET



PH3 Fr. AL80 DUTY CONT. IP55 DES N Code L IEC 60034-1
28lb 1000m.a.s.l. INS cl. F DT 80K AMB 40°C SF 1.15

V	Hz	kW	HP	RPM	A		SFA		PF	IE code	NEMA NOM EFF η 100%/75%/50%
230YY	460Y	60	0.55/0.75	1740	2.50	1.25	2.88	1.44	0.72	IE2	77.0/76.5/72.0
-	380Y	50	0.55/0.75	1410	-	1.35	-	1.35	0.80	IE2	77.1/76.0/71.0
-	415Y	50	0.55/0.75	1455	-	1.30	-	1.30	0.75	IE2	78.3/76.5/72.0
-	-	-	-	-	-	-	-	-	-	-	-



MOBIL POLYREX EM

MADE IN BRAZIL
14051984