



Technical Data

End Suction Pump - EAZS32/16-05502

Revision no.

Page:
 1

	Receiver	From
Company name		
Respons. Department		
Person in charge		
Phone number		
Fax no		
E-mail address		

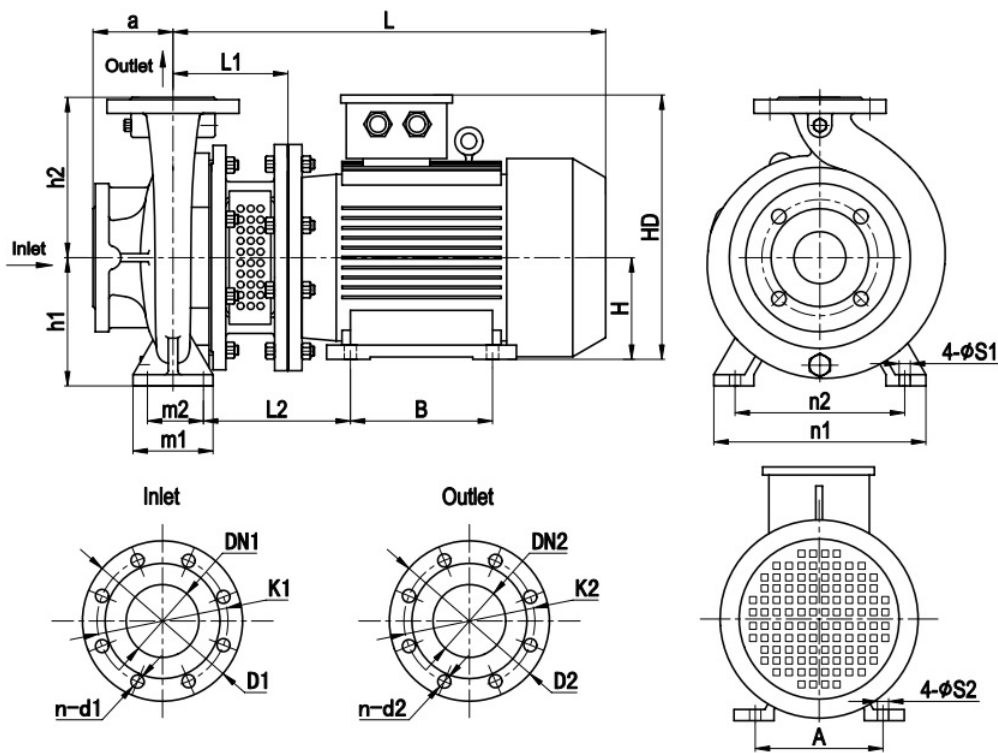


Brand: Gol Pumps
Model: EAZS32/16-05502

Motor (B35)	
Model	hp
Y2-132S1-2	7.5

Weight (lb)		
Pump	Motor	Pump & motor
84	144	227

Dimensions:



	ISO7005.2 DIN2501 PN16 GB/T17241.6 PN1.6									
DN1 / DN2	1.25	1.5	2	2.5	3	4	5	6	8	
D1 / D2	5.51	5.91	6.50	7.28	7.87	8.66	9.84	11.22	13.39	
K1 / K2	3.94	4.33	4.92	5.71	6.30	7.09	8.27	9.45	11.61	
n-d1 / n-d2	4-Ø18	4-Ø18	4-Ø18	4-Ø18	8-Ø18	8-Ø18	8-Ø18	8-Ø22	12-Ø22	

Inlet and outlet flange	
DN1	DN2
2	1.25

Pump installation size (inch)															
a	h1	h2	L1	L2	L	A	B	H	HD	m1	m2	n1	n2	S1	S2
3.1	5.2	6.3	7.4	9.5	22.7	8.5	5.5	5.2	13.6	3.9	2.8	9.4	7.5	0.6	0.5

Project	Project ID	Created by	Created on	Last update
---------	------------	------------	------------	-------------



Performance Curves

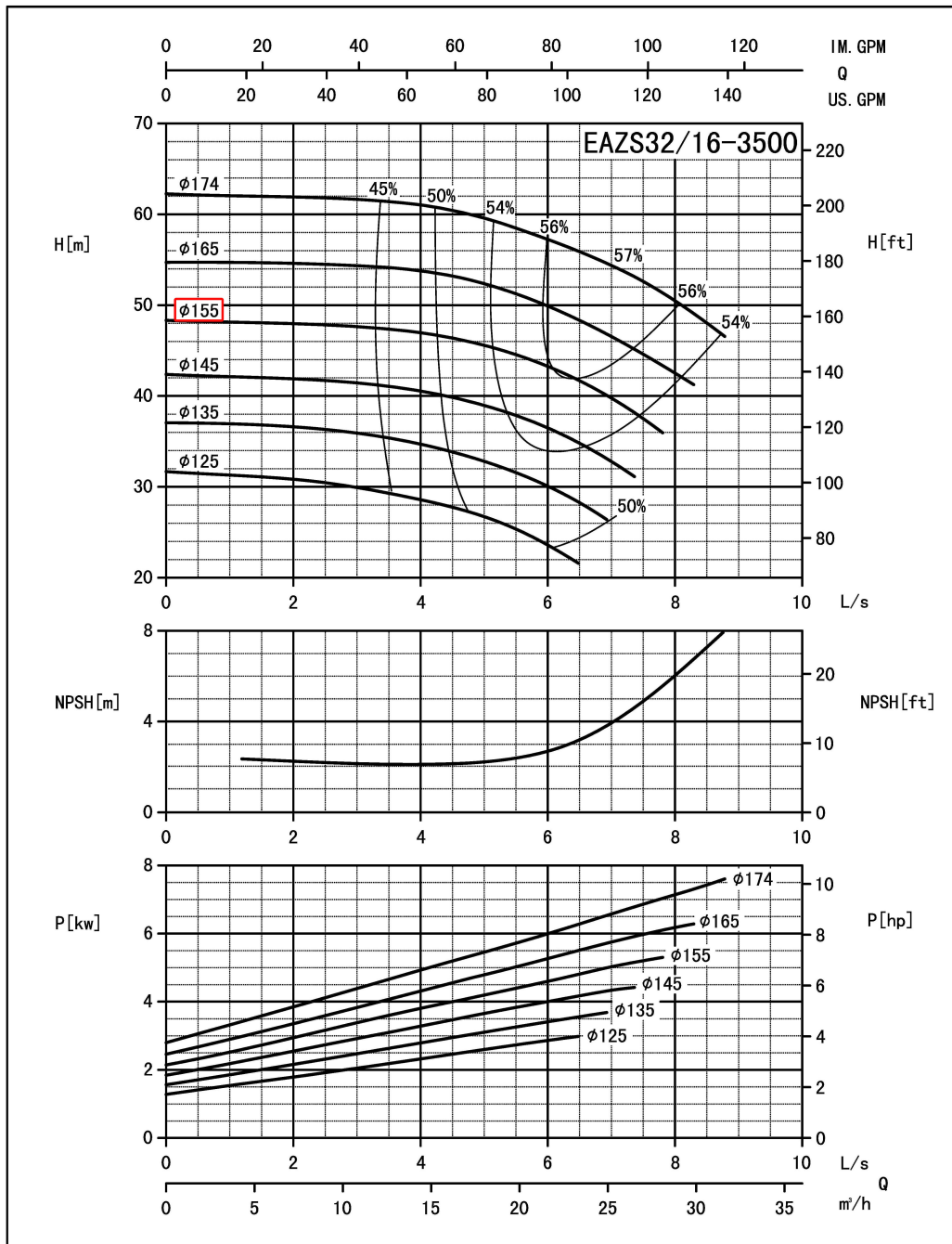
End Suction Pump - EAZS32/16-05502

Revision no. _____
 Page: 2

Receiver	From

Company name _____
 Respons. Department _____
 Person in charge _____
 Phone number _____
 Fax no _____
 E-mail address _____

Model	Capacity		Head ft	Speed r/min	Power (kw)		Motor (hp)	Efficiency %	Impeller Diam. inch	(NPSH) r ft
	m ³ /h	gpm			Shaft	Motor				
EAZS32/16-05502	11.6	51.1	154.4	3500	3.4	5.5	7.5	44	6.1	6.2
	19.4	85.2	145.8		4.3	5.5	7.5	54.5		7.2
	23.2	102.2	137.2		4.7	5.5	7.5	56		12.1



Performance to ISO9906 Grade 2 for clean cold water only

EF•A01/1406

Project	Project ID	Created by	Created on	Last update