



Technical Data

End Suction Pump - EAZS32/16-04002

Revision no. _____

Page: 1

Receiver	From

Company name
 Respons. Department
 Person in charge
 Phone number
 Fax no
 E-mail address

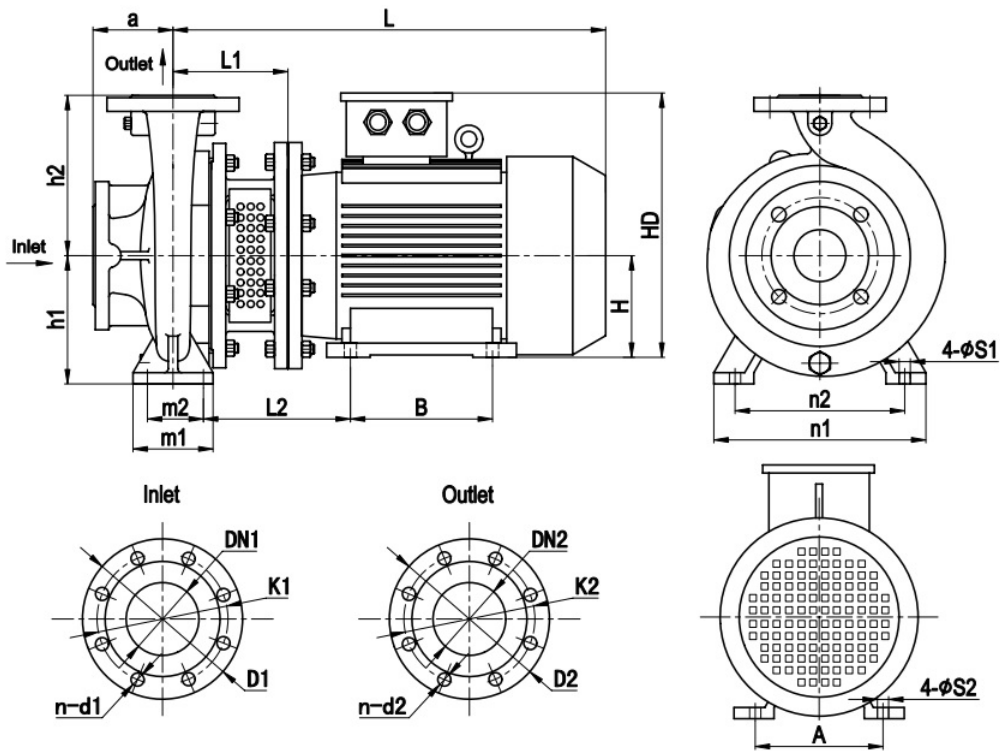


Brand: Gol Pumps
Model: EAZS32/16-04002

Motor (B35)	
Model	hp
Y2-112M-2	5

Weight (lb)		
Pump	Motor	Pump & motor
73	95	168

Dimensions:



ISO7005.2 DIN2501 PN16 GB/T17241.6 PN1.6									
DN1 / DN2	1.25	1.5	2	2.5	3	4	5	6	8
D1 / D2	5.51	5.91	6.50	7.28	7.87	8.66	9.84	11.22	13.39
K1 / K2	3.94	4.33	4.92	5.71	6.30	7.09	8.27	9.45	11.61
n-d1 / n-d2	4-Ø18	4-Ø18	4-Ø18	4-Ø18	8-Ø18	8-Ø18	8-Ø18	8-Ø22	12-Ø22

Inlet and outlet flange	
DN1	DN2
2	1.25

Pump installation size (inch)															
a	h1	h2	L1	L2	L	A	B	H	HD	m1	m2	n1	n2	S1	S2
3.1	5.2	6.3	6.5	7.8	19.8	7.5	5.5	4.4	11.8	3.9	2.8	9.4	7.5	0.6	0.5

Project	Project ID	Created by	Created on	Last update
---------	------------	------------	------------	-------------



Performance Curves

End Suction Pump - EAZS32/16-04002

Revision no.

Page:
2

Receiver

From

Company name
 Respons. Department
 Person in charge
 Phone number
 Fax no
 E-mail address

Model	Capacity		Head	Speed	Power (kw)		Motor (hp)	Efficiency	Impeller Diam.	(NPSH) r
	m ³ /h	gpm	ft	r/min	Shaft	Motor		%	inch	ft
EAZS32/16-04002	10.1	44.5	117.6	3500	2.5	3	4	40	5.3	6.2
	16.9	74.2	108.5		2.9	4	5	51		7.2
	20.2	89.1	102.3		3.3	4	5	52.5		12.1

Project	Project ID	Created by	Created on	Last update
---------	------------	------------	------------	-------------