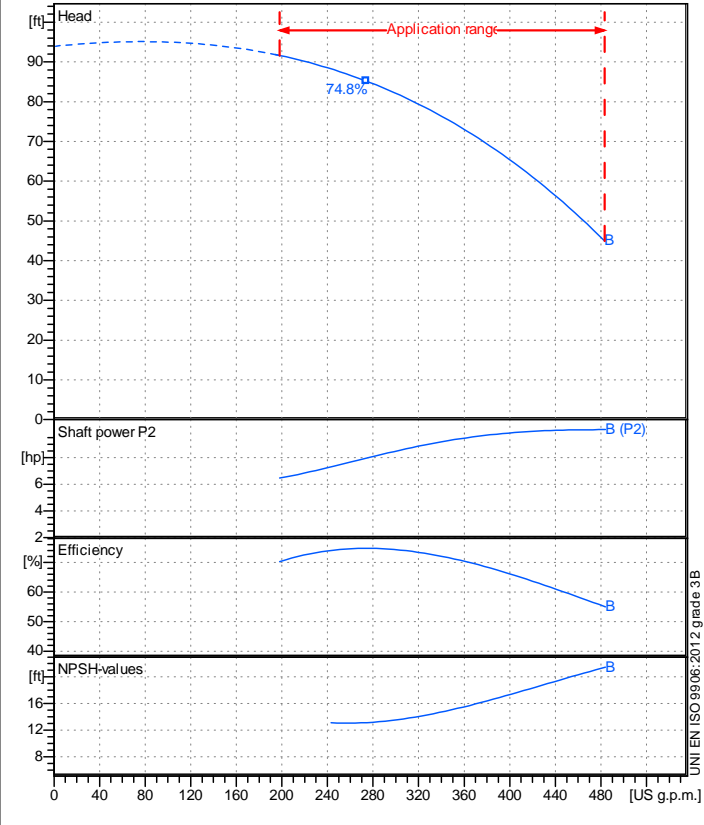


Company name  
 Respons. Department  
 Person in charge  
 Phone number  
 Fax no  
 E-mail address

Receiver	From



### Operating data specification

Nominal flow	US g.p.m. 0
Nominal head	ft 0
Static head	ft 0
NPSH - v value of plant	ft 0
Inlet pressure	psi 1.42
Fluid	Water, pure
Operating temperature t A	°F 68
Density at t A	lb/ft³ 62.32
Kin. viscosity at t A	ft²/s 1.082E-5

### Pump

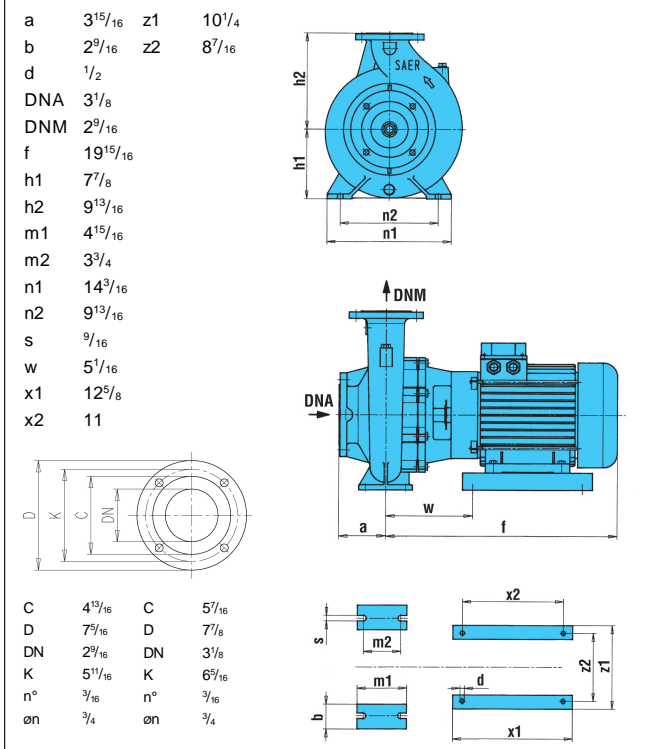
Pump name		60*4P 65-250NB	
Size		80/65/200	
Design			
Speed	rpm 1800	No of stages	1
Impeller type			
Flow	Nominal	US g.p.m.	
	Max-	US g.p.m. 483	
	Min-	US g.p.m. 198	
Head	Nominal	ft	
	Max-	ft 91.6	
	Min-	ft 44.9	
Head H(Q=0)		ft 93.9	
NPSH 3%		ft	
Max. working pressure		psi 40.7	
Shaft power		hp	
Efficiency		%	
Max absorbed power		hp 10.111	

### Materials Pump

Shaft	Stainless steel AISI 431 (1.4057)		
Impeller	Cast iron EN-GJL-250		
Pump body	Cast iron EN-GJL-250		
Seal disc	Cast iron EN-GJL-250		
Gasket	Natural fiber		
Mechanical seal	BVEG (Grafito/Ossido Allumina/EPDM)		

<b>Motor</b>		Frame size	132L	
Manufacturer / Type		SAER	MEC132L-4P-7.5	
Rated power	hp	10.058	Efficiency 4/4	86 %
Electric current	A	24/12 A	Speed	rpm 1800
Electric voltage	V	230/460V	3~	Hz 60
Starting mode		Unknown		
Degree of protection		IP 55	Insulation class	F

### Dimensions in inch



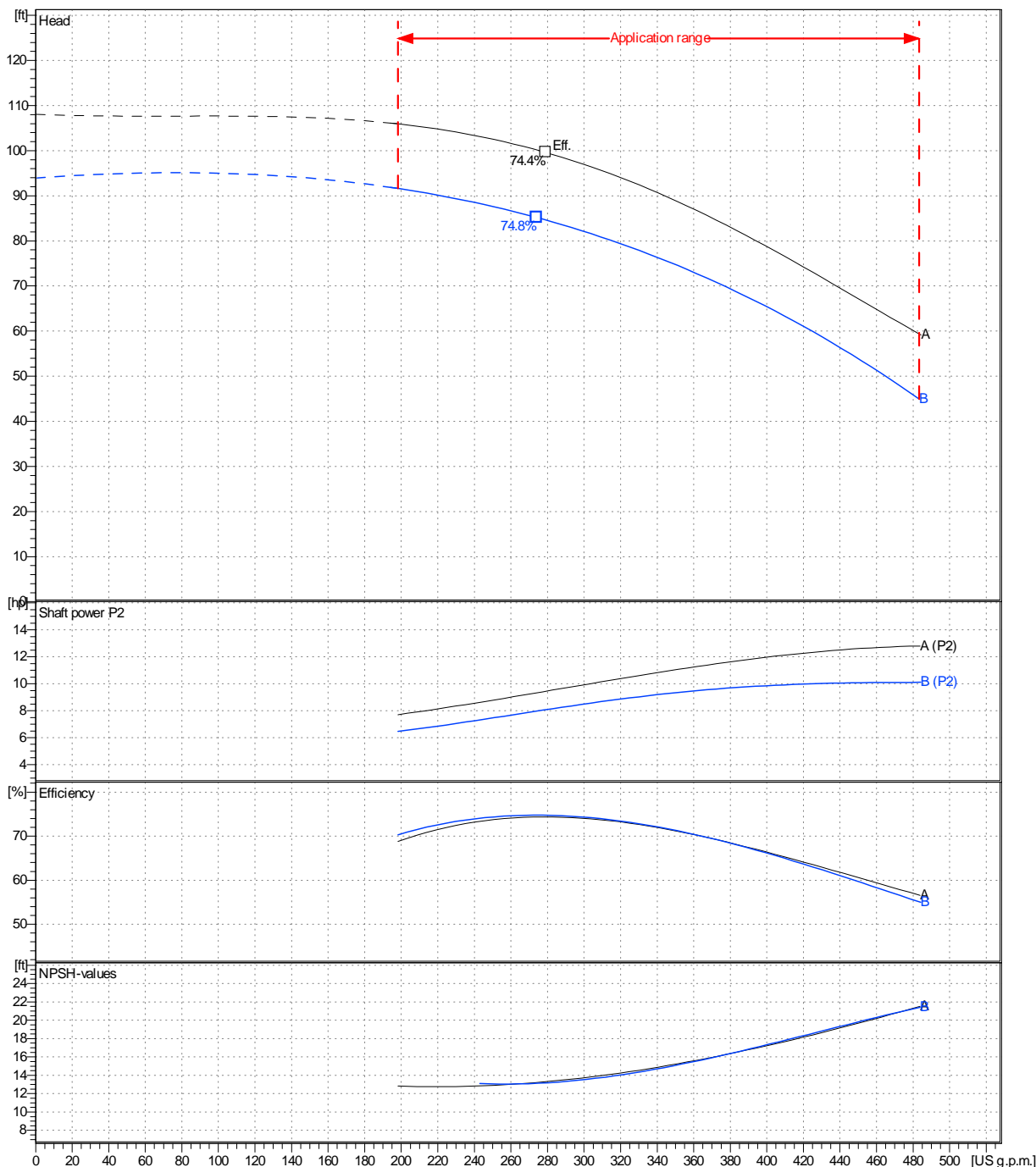
Remarks:				
Project	Project ID	Created by	Created on	Last update
			9/26/2022	

<b>Receiver</b>	<b>From</b>
Company name	
Respons. Department	
Person in charge	
Phone number	
Fax no	
E-mail address	

Operating area	Flow	Head	Impeller type
Operating data specification	0 US g.p.m.	0 ft	Impeller construction: Closed
Pump data	US g.p.m.	ft	Sense of rotation: Clockwise from the drive end
			Outlet width: DN 65
	Flow	Head	Shaft power P2
	Min. Max. $\eta$ Max.	H(Q=0) $\eta$ Max.	P2(Q=0) Max. $\eta$ Max.
	US g.p.m. US g.p.m. US g.p.m.	ft ft	hp hp hp
	198 483 274	93.9 85.2	10.1 7.97
			Speed rpm: 1800
			Frequency Hz: 60 Hz

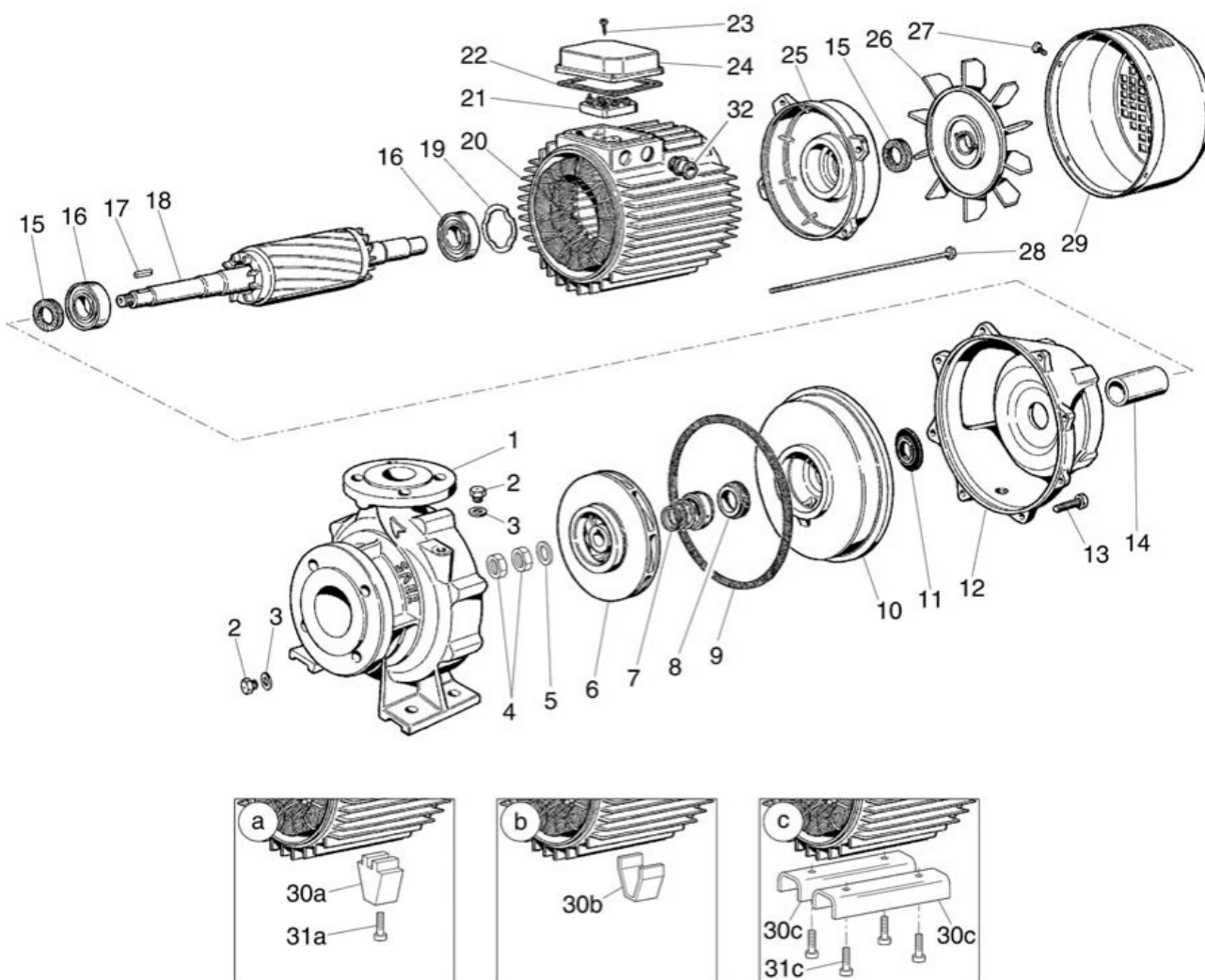
Performance data based to: Water, pure [100%]; 68°F; 62.3lb/ft³; 1.08E-5ft²/s

UNI EN ISO 9906:2012 - Grade 3B



Project	Project ID	Created by	Created on <b>9/26/2022</b>	Last update
---------	------------	------------	--------------------------------	-------------

Company name  
Respons. Department  
Person in charge  
Phone number  
Fax no  
E-mail address



Project

Project ID

Created by

Created on  
9/26/2022

Last update