



# Technical Data

## End Suction Pump - EAZS40/32-11004

Revision no.

 Page:  
1

Receiver

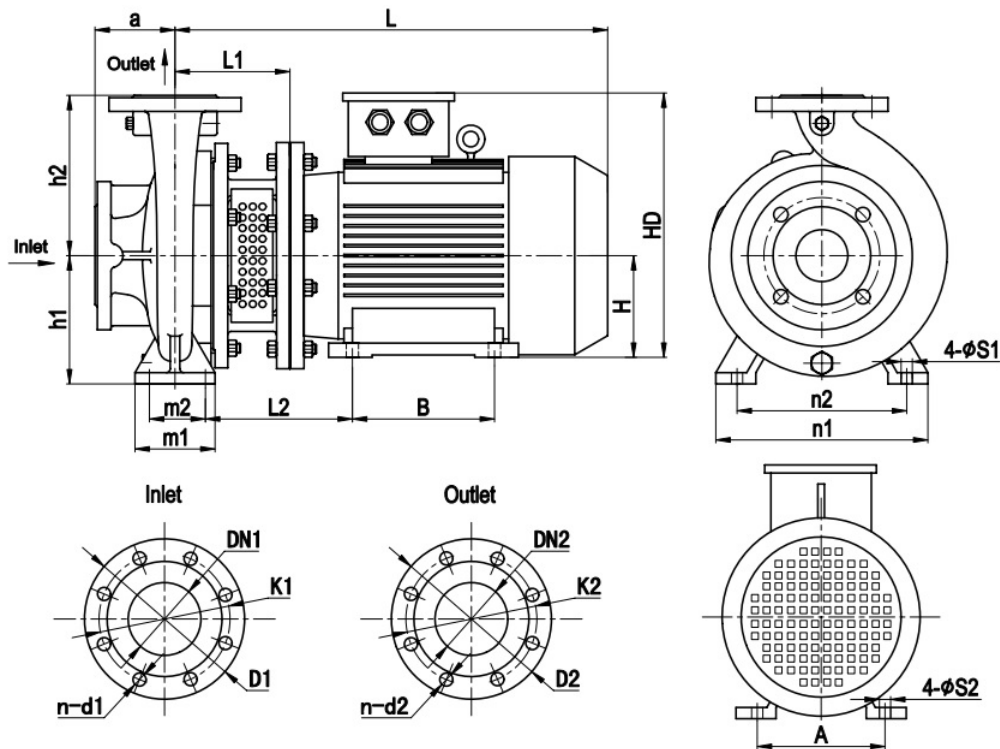
From

 Company name  
 Respons. Department  
 Person in charge  
 Phone number  
 Fax no  
 E-mail address

 Brand: Gol Pumps  
 Model: EAZS40/32-11004

Motor (B35)	
Model	hp
Y2-160M-4	15

Weight (lb)		
Pump	Motor	Pump & motor
183	238	421

**Dimensions:**


ISO7005.2 DIN2501 PN16 GB/T17241.6 PN1.6									
DN1 / DN2	1.25	1.5	2	2.5	3	4	5	6	8
D1 / D2	5.51	5.91	6.50	7.28	7.87	8.66	9.84	11.22	13.39
K1 / K2	3.94	4.33	4.92	5.71	6.30	7.09	8.27	9.45	11.61
n-d1 / n-d2	4-∅18	4-∅18	4-∅18	4-∅18	8-∅18	8-∅18	8-∅18	8-∅22	12-∅22

Inlet and outlet flange	
DN1	DN2
2.5	1.5

Pump installation size (inch)															
a	h1	h2	L1	L2	L	A	B	H	HD	m1	m2	n1	n2	S1	S2
4.92	7.87	9.84	9.37	11.75	29.25	10.00	8.27	6.30	16.54	4.92	3.74	13.58	11.02	0.55	0.59

Project

Project ID

Created by

Created on

Last update



# Performance Curves

## End Suction Pump - EAZS40/32-11004

Revision no.

Page:

2

Receiver

From

 Company name  
 Respons. Department  
 Person in charge  
 Phone number  
 Fax no  
 E-mail address

Model	Capacity		Head ft	Speed r/min	Power (kw)		Motor (hp)	Efficiency %	Impeller Diam. inch	(NPSH) r ft
	m <sup>3</sup> /h	gpm			Shaft	Motor				
EAZS40/32-11004	10.8	47.6	179.2	1750	5.18	7.5	10	31	13.0	6.89
	18	79.3	170.1		6.35	11	15	40		7.55
	21.6	95.1	161.5		6.89	11	15	42		8.20

Project

Project ID

Created by

Created on

Last update