



Technical Data

End Suction Pump - EAZS150/20-30004

Revision no. _____

Page: 1

Company name
 Respons. Department
 Person in charge
 Phone number
 Fax no
 E-mail address

Receiver

From

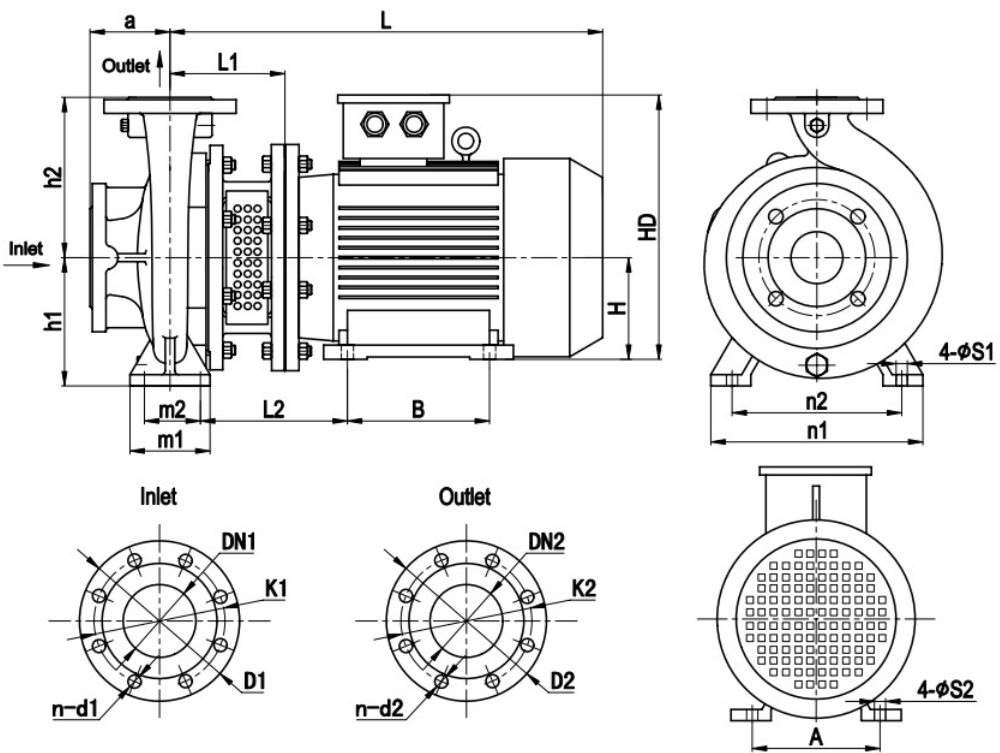


Brand: Gol Pumps
Model: EAZS150/20-30004
Flange: ANSI Class 125

| Motor (B35) | |
|-------------|----|
| Model | hp |
| Y2-200L-4 | 40 |

| Weight (lb) | | |
|-------------|-------|--------------|
| Pump | Motor | Pump & Motor |
| 229 | 529 | 756 |

Dimensions:



| Inlet | | | |
|-------|------|------|--------|
| DN1 | K1 | D1 | n-d1 |
| 8 | 11.8 | 13.5 | 8-Ø0.9 |

| Outlet | | | |
|--------|-----|----|--------|
| DN2 | K2 | D2 | n-d2 |
| 6 | 9.5 | 11 | 8-Ø0.9 |

| Pump Installation Size (inch) | | | | | | | | | | | | | | | |
|-------------------------------|-------|-------|-------|-------|-------|-------|-------|------|-------|------|------|-------|-------|------|------|
| a | h1 | h2 | L1 | L2 | L | A | B | H | HD | m1 | m2 | n1 | n2 | S1 | S2 |
| 6.30 | 11.02 | 15.75 | 10.43 | 12.72 | 36.42 | 12.52 | 12.01 | 7.87 | 19.88 | 7.87 | 5.91 | 15.75 | 12.40 | 0.91 | 0.75 |

| | | | | |
|---------|------------|------------|------------|-------------|
| Project | Project ID | Created by | Created on | Last update |
|---------|------------|------------|------------|-------------|



Performance Curves

End Suction Pump - EAZS150/20-30004

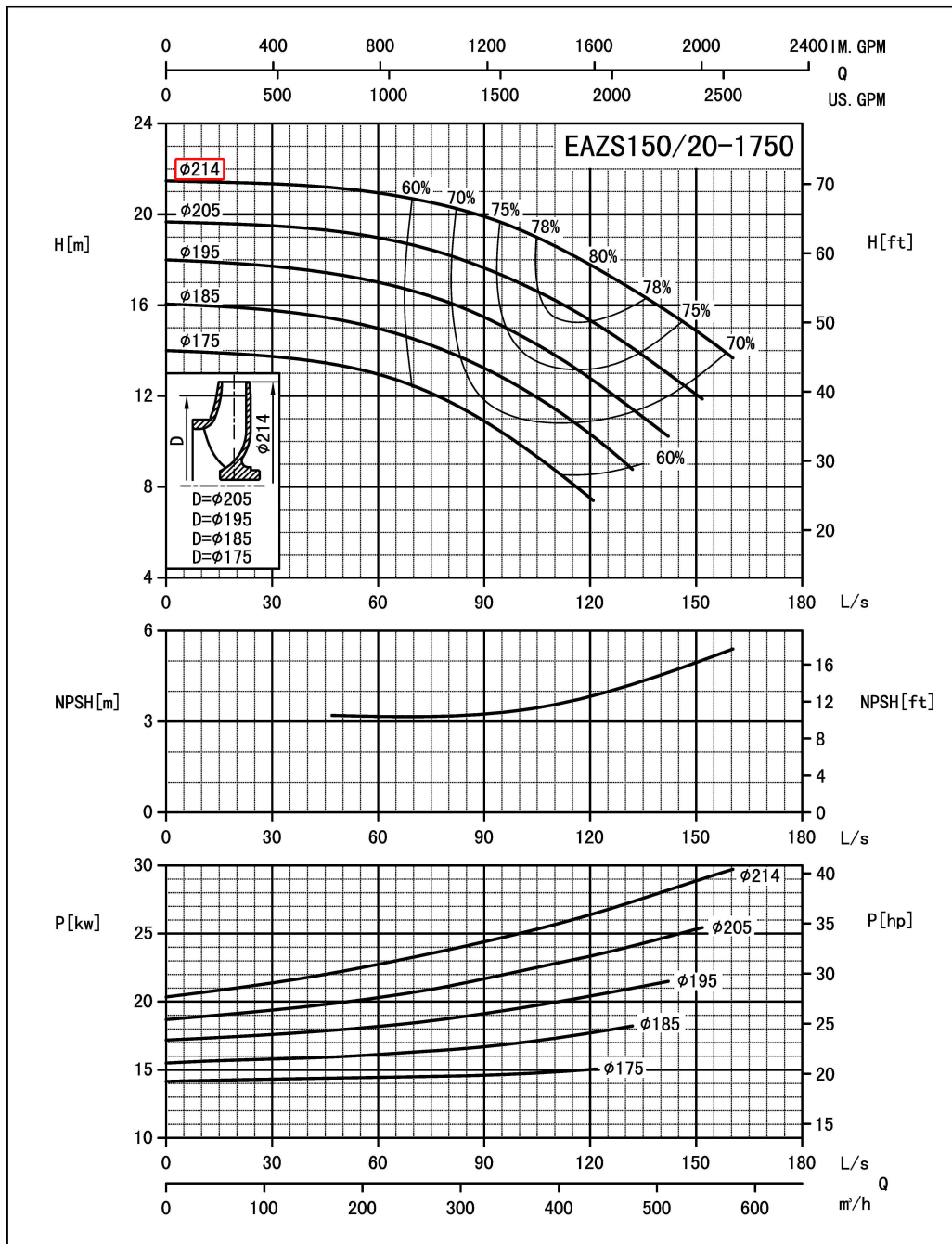
Revision no. _____

Page:
 2

Receiver _____ From _____

Company name _____
 Respons. Department _____
 Person in charge _____
 Phone number _____
 Fax no _____
 E-mail address _____

| Model | Capacity | | Head ft | Speed r/min | Power (kw) | | Motor hp | Efficiency % | Impeller Diam. inch | (NPSH) r ft |
|------------------|-------------------|--------|------------|----------------|------------|-------|-------------|-----------------|------------------------|----------------|
| | m ³ /h | gpm | | | Shaft | Motor | | | | |
| EAZS150/20-30004 | 260.7 | 1147.8 | 67.4 | 1750 | 23.5 | 30 | 40 | 62 | 8.4 | 9.8 |
| | 434.5 | 1913 | 58.3 | | 26.3 | | | 80 | | 11.5 |
| | 521.4 | 2295.6 | 50.7 | | 29 | | | 75.5 | | 13.1 |



Performance to ISO9906 Grade 2 for clean cold water only

EF•A01/1406

| | | | | |
|---------------|------------------|------------------|------------------|-------------------|
| Project _____ | Project ID _____ | Created by _____ | Created on _____ | Last update _____ |
|---------------|------------------|------------------|------------------|-------------------|