



Technical Data

End Suction Pump - EAZS100/26-22004 (SS316)

Revision no.

 Page:
1

Receiver

From

 Company name
 Respons. Department
 Person in charge
 Phone number
 Fax no
 E-mail address

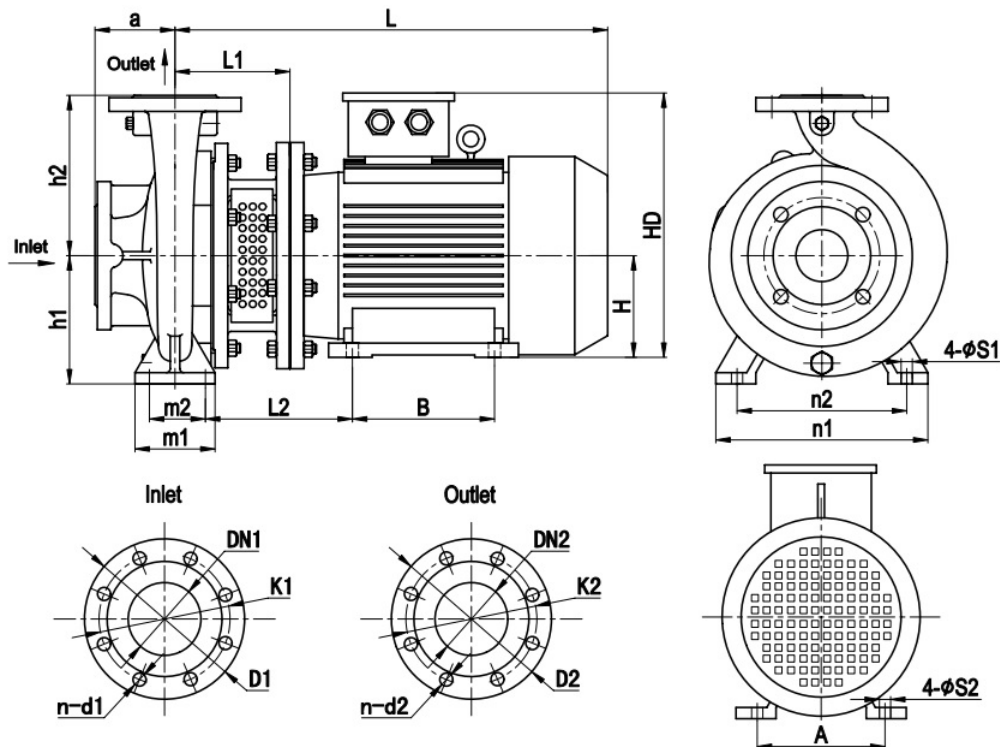

Brand: Gol Pumps
Model: EAZS100/26-22004 (SS316)
Flange: ANSI Class 125

| Motor (B35) | |
|-------------|----|
| Model | hp |
| Y2-180L-4 | 30 |

| Weight (lb) | | |
|-------------|-------|--------------|
| Pump | Motor | Pump & Motor |
| 196 | 395 | 591 |

| | |
|------------------------|------------------------------|
| Pump Material | Stainless Steel 316/AISI 316 |
| Casing | Stainless Steel 316/AISI 316 |
| Impeller | Stainless Steel 316/AISI 316 |
| Shaft | Stainless Steel 316/AISI 316 |
| Mechanical Seal | Silicon Carbide |

Dimensions:



| Inlet | | | |
|-------|-----|----|--------|
| DN1 | K1 | D1 | n-d1 |
| 5 | 8.5 | 10 | 8-Ø0.9 |

| Outlet | | | |
|--------|-----|-----|--------|
| DN2 | K2 | D2 | n-d2 |
| 4 | 7.5 | 9.1 | 8-Ø0.9 |

| Pump Installation Size (inch) | | | | | | | | | | | | | | | |
|-------------------------------|----|----|-----|------|------|----|----|-----|------|-----|-----|------|------|-----|-----|
| a | h1 | h2 | L1 | L2 | L | A | B | H | HD | m1 | m2 | n1 | n2 | S1 | S2 |
| 5.5 | 10 | 11 | 9.4 | 11.8 | 34.2 | 11 | 11 | 7.1 | 17.9 | 6.3 | 4.7 | 15.8 | 12.4 | 0.7 | 0.6 |

Project

Project ID

Created by

Created on

Last update



Performance Curves

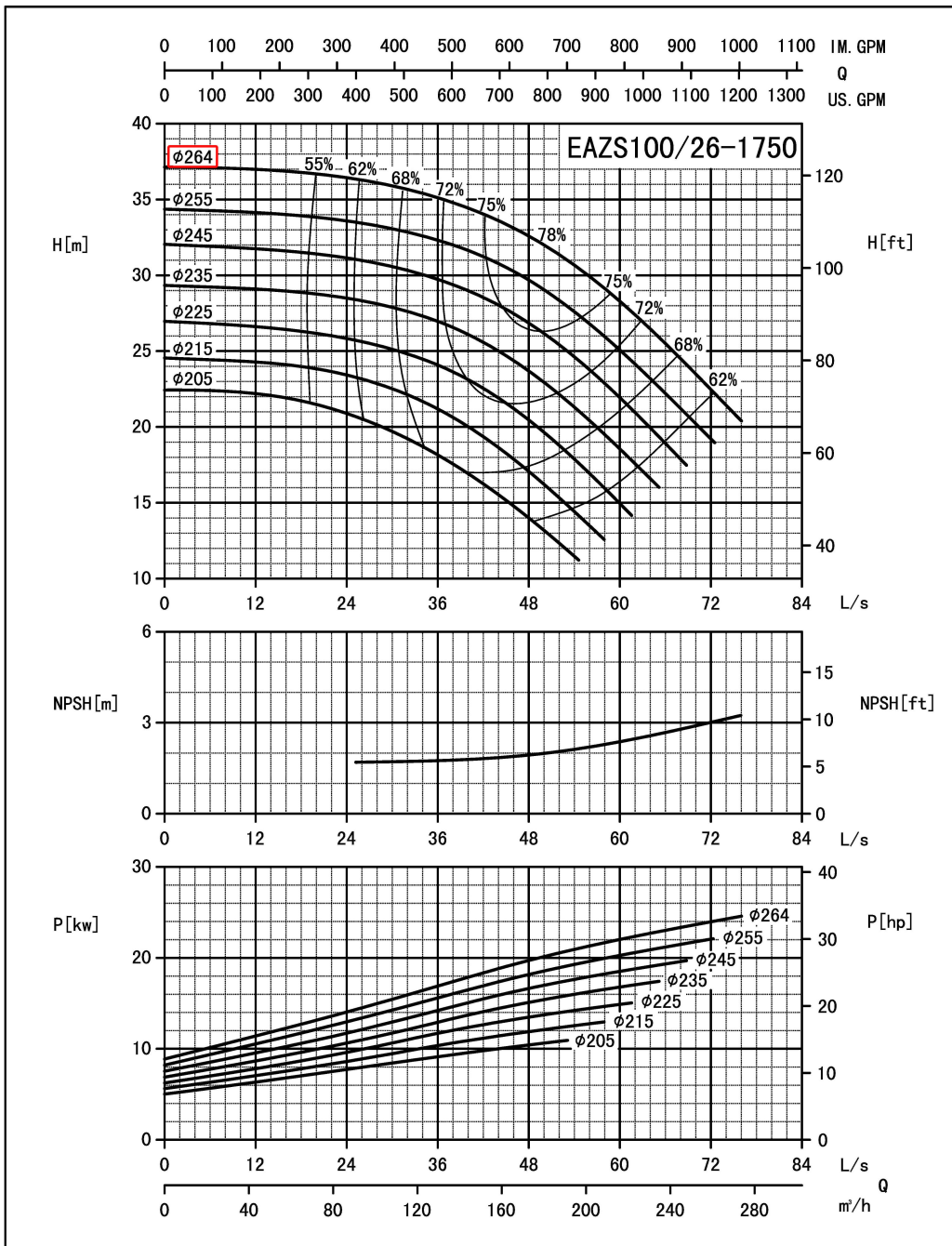
End Suction Pump - EAZS100/26-22004 (SS316)

Revision no. _____

Page:
 2

| | | |
|---------------------|----------|------|
| | Receiver | From |
| Company name | | |
| Respons. Department | | |
| Person in charge | | |
| Phone number | | |
| Fax no | | |
| E-mail address | | |

| Model | Capacity | | Head ft | Speed r/min | Power (kw) | | Motor (hp) | Efficiency % | Impeller Diam. inch | (NPSH) r ft |
|------------------|-------------------|-------|------------|----------------|------------|-------|------------|-----------------|------------------------|----------------|
| | m ³ /h | gpm | | | Shaft | Motor | | | | |
| EAZS100/26-22004 | 99.5 | 437.9 | 100.8 | 1750 | 12.6 | 15 | 20 | 66 | 9.6 | 5.9 |
| | 165.8 | 729.8 | 90 | | 16.5 | 18.5 | 25 | 75 | | 6.6 |
| | 198.9 | 875.8 | 79.4 | | 17.9 | 22 | 30 | 73 | | 7.6 |



Performance to ISO9906 Grade 2 for clean cold water only

EF•A01/1406

| | | | | |
|---------|------------|------------|------------|-------------|
| Project | Project ID | Created by | Created on | Last update |
|---------|------------|------------|------------|-------------|