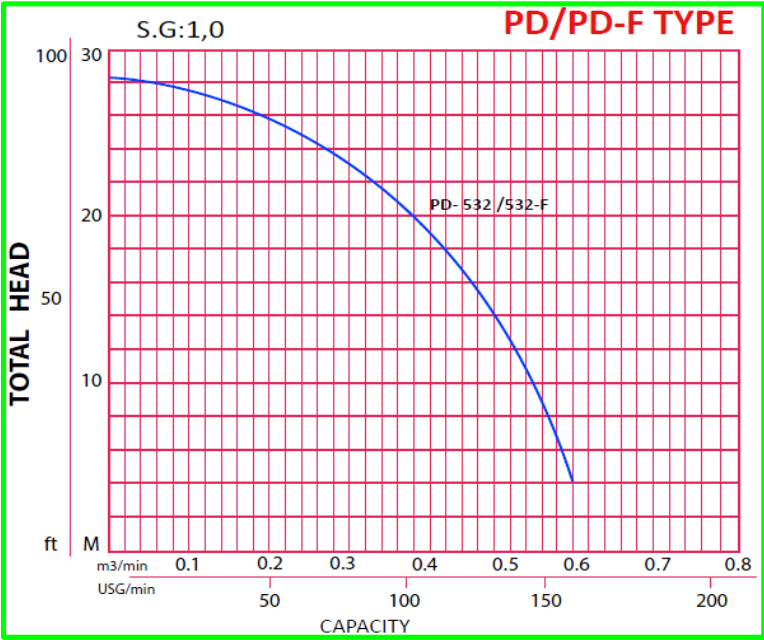
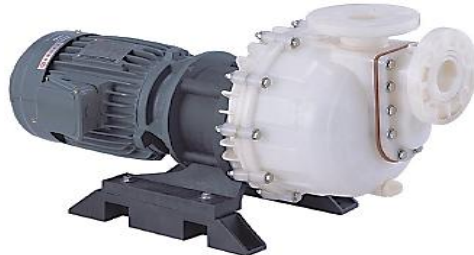


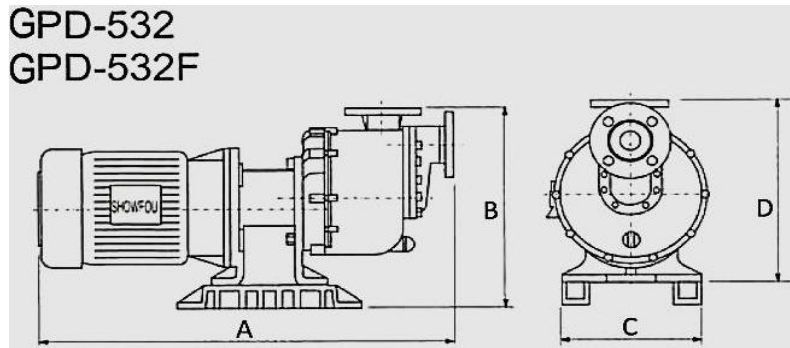
Pump Data	
Brand :	Gol Pump
Model :	GPD - 532 F
Head Rate : 66 FEET	Flow Rate: 96 GPM
Head Max: 93 FEET	Flow Max: 160 GPM
Head Min: 13 FEET	Flow Min : 5 GPM
RPM :	3450 rpm
Normal Power P1 :	5 HP
Fluid:	Water
Fluid Temperature:	at about 25 °C
Density:	water 997 kg/m ³
Fluid Viscosity:	8.90 × 10 ⁻⁴ Pa·s
With Float switch	NONE
Self Priming	Submersible
Delivery size	2" NPT
Suction size	With Strainer
Made in :	TAIWAN



Motor Data	
Power P2:	*
Power P1:	3.7 KW
Phase (PH):	3
Rate Voltage :	480 V
Capacitor Need :	* μF
Ferequency :	60 Hz
Rated Speed (rpm):	3450 rpm
Current (A):	5.2 A
Cos φ :	0.85
Degree of Protection (IP):	IP 68
Safety Protection Included :	*
length of Cable :	* mm2×m
Kind of Plug :	NONE
Ambient Temp :	40°C = 104°F



Other Pump Data	
Impeller Size (mm) :	*
Pressuer Rating :	PN 16
Min. Fluid Temp :	0°C = 32°F
Max. Fluid Temp :	90°C = 194°F
Ambient Temp :	40°C = 104°F
Humidity % :	100%



Special Specification	
Installation status :	Ver
Variable frequency :	NONE
Solid Passage	50 mm

Materials	
Pump Body :	Cast Iron
Support:	FRPP
Impeller	FRPP
Mechanical Seal:	Teflon
Rubber	NBR
Pump Shaft:	SUS 304
Strainer	FRPP
outer cover:	Cast Iron
Motor:	Cast Iron

Shaft Seal	
Type:	*
Stationary Part	Ceramic
Rotating Part	Carbon
Elastomer	FRPP

Weight : 69 Kg	Applicant:	Dimention in	
Standard Approve		mm	
CSA	Wasted and Polluted Water Treatment PCB Electronic Paper Industry Leather	A	780
UL	Industry Dyeing and Textile Surface Electric Plated Industry Chemical Engineering	B	420
CE	Industry Medical and Pharmaceutical Industry and Food Industry High Temperature	C	255
Pump and Motor specification optional	and Chemical Liquid with Particles Can be used Limitedly such as Chemical Cuprem	D	370
Protection system required	Patassium Manganate Plating Gold Liquid and non-Electrolytic Nickel Plating Solvents Etc.		
External Flout switch	*		
Minimum Starter	Starter SWT		