



Technical Data

Vertical Multistage - SBN 32-3

Revision no. _____
Page: 1

Receiver

From

Company name
Respons. Department
Person in charge
Phone number
Fax no
E-mail address

| |
|--|
| |
| |
| |
| |
| |

| |
|--|
| |
| |
| |
| |
| |



Brand: Gol Pumps
Model: SBN 32-3



Dimensions:

* The Flange (ANSI) 300lb is not included. If you wish, you have to select the option when adding the product to the cart.

* Flange (ANSI) 2 1/2" 300 lb.R.F. Stages 6-2~11-2

Flange (DIN)
PN16-25-40 / DN65

| Pump Installation Size (inch) | | | | | | |
|-------------------------------|------|-----------|-------|------|-----|------------|
| DIN Flange | | Port Size | | D1 | D2 | Net Weight |
| H1 | H2 | DNA | DNM | | | Lb. |
| 29.7 | 47.2 | 2 1/2 | 2 1/2 | 10.6 | 8.5 | 322.3 |

| | | | | |
|---------|------------|------------|------------|-------------|
| Project | Project ID | Created by | Created on | Last update |
|---------|------------|------------|------------|-------------|



Performance Curves

Vertical Multistage - SBN 32-3

Revision no. _____

Page: 2

Receiver _____

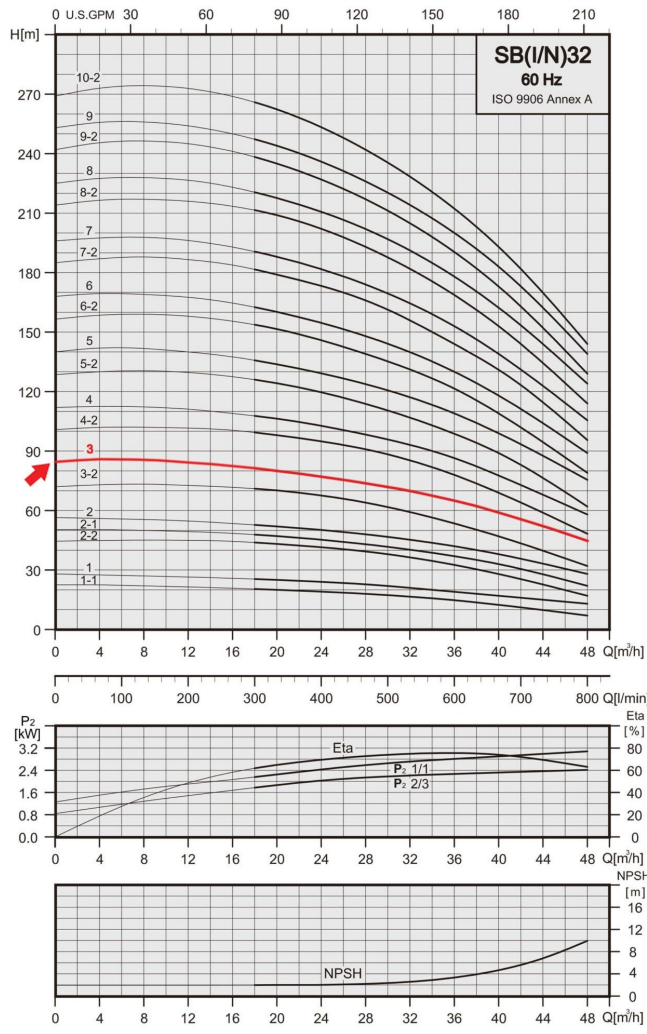
From _____

Company name _____
 Respons. Department _____
 Person in charge _____
 Phone number _____
 Fax no _____
 E-mail address _____

| |
|--|
| |
| |
| |
| |
| |

| |
|--|
| |
| |
| |
| |
| |

| Model | Port Size (in.) | | Flow | HP | Volts | Amps | Phase | Max. Head | Max. Suction | Max. PSI |
|-----------------|-----------------|-------|-------|----|---------|---------|-------|-----------|--------------|----------|
| | DNA | DNM | GPH | | V | I Max. | Ph | Ft. | Ft. | |
| SBN 32-3 | 2 1/2 | 2 1/2 | 12600 | 15 | 220/480 | 37/19.6 | Three | 285 | 17 | 125 |



| | | | | |
|---------------|------------------|------------------|------------------|-------------------|
| Project _____ | Project ID _____ | Created by _____ | Created on _____ | Last update _____ |
|---------------|------------------|------------------|------------------|-------------------|



Parts and Materials

Vertical Multistage - SBN 32-3

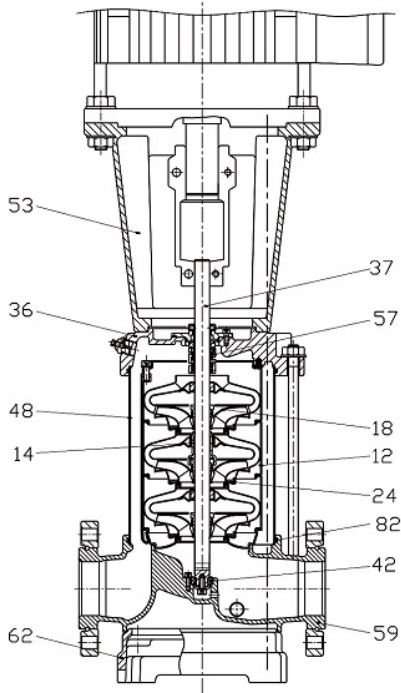
Revision no.

Page:

3

Receiver

From

 Company name
 Respons. Department
 Person in charge
 Phone number
 Fax no
 E-mail address


Parts List

Material

Standard

| | | | |
|----|-------------------------|------------------------------|----------|
| 36 | Pump Head | Stainless Steel | AISI 316 |
| 53 | Motor Bracket | Cast Iron | ASTM 35B |
| 18 | Impeller | Stainless Steel | AISI 316 |
| 37 | Shaft | Stainless Steel | AISI 316 |
| 48 | Outer Sleeve | Stainless Steel | AISI 316 |
| 82 | O-ring for Outer Sleeve | EPDM | |
| 12 | Chamber | Stainless Steel | AISI 316 |
| 24 | Neck Ring | Carbon Fiber + POB + PTFE | |
| 59 | Base | Stainless Steel | AISI 316 |
| 62 | Base Plate | Cast Iron | ASTM 35B |
| 57 | Mechanical Seal | Cartridge Type | |
| 14 | Bearing Ring | POB + Graphite + PTFE | |
| 42 | Bottom Bearing Ring | Tungsten Carbide | |

Project

Project ID

Created by

Created on

Last update