

Receiver

From

 Company name
 Respons. Department
 Person in charge
 Phone number
 Fax no
 E-mail address

Operating data specification

Nominal flow	US g.p.m. 0
Nominal head	ft 0
Static head	ft 0
NPSH - v alue of plant	ft 0
Inlet pressure	psi 1.42
Fluid	Water, pure
Operating temperature t A	°F 68
Density at t A	lb/ft³ 62.32
Kin. viscosity at t A	ft²/s 1.082E-5

Pump

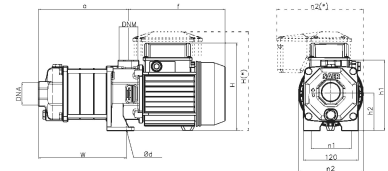
Pump name	6OP40/3		
Size			
Design			
Speed rpm	3500	No of stages	3
Impeller type			
Flow	Nominal	US g.p.m.	
	Max-	US g.p.m.	70.3
	Min-	US g.p.m.	17.6
Head	Nominal	ft	
	Max-	ft	144
	Min-	ft	68.7
Head H(Q=0)	ft	157	
NPSH 3%	ft		
Max. working pressure	psi	68.1	
Shaft power	hp		
Efficiency	%		
Max absorbed power	hp	0	

Materials Pump

Shaft	Stainless steel AISI 431 (1.4057)
Impeller	Stainless steel AISI 304 (1.4301)
Diffuser	Stainless steel AISI 304 (1.4301)
Gasket	Natural fiber
Suction	Cast iron EN-GJL-250
Delivery	Cast iron EN-GJL-250
Mechanical seal	Stahl

Dimensions in inch

a	8 ³ / ₈
DNA	G1"1/2
DNM	G1"1/2
f	10 ¹ / ₄
H	8 ¹¹ / ₁₆
h1	7 ¹⁵ / ₁₆
h2	3 ¹⁵ / ₁₆
n1	4 ¹ / ₂
n2	6 ⁵ / ₁₆
Ød	7 ¹ / ₁₆
w	9



Motor	Frame size	80		
Manufacturer / Type	SAER	MEC80-2P-1.5M		
Rated power	hp	2.0115	Efficiency 4/4	0 %
Electric current	A	10 A	Speed rpm	3600
Electric voltage	V	230V	1~	Hz 60
Starting mode	Unknown			
Degree of protection	IP 55	Insulation class	F	

Remarks:

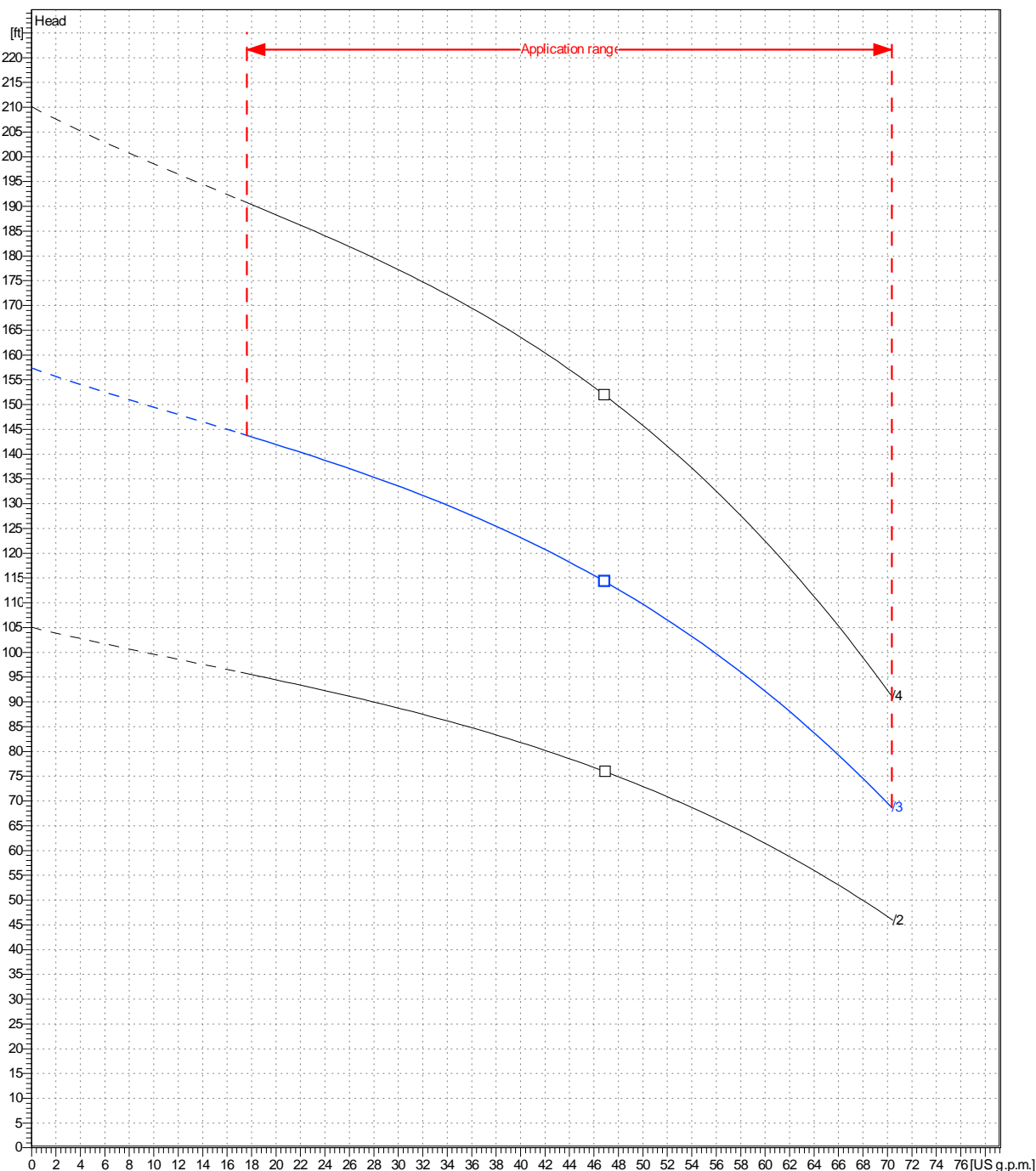
Project	Project ID	Created by	Created on 2022-07-13	Last update
---------	------------	------------	---------------------------------	-------------

Receiver	From
Company name	-
Respons. Department	-
Person in charge	-
Phone number	-
Fax no	-
E-mail address	-

Operating area	Flow	Head	Impeller type
Operating data specification	0 US g.p.m.	0 ft	Impeller construction
Pump data	US g.p.m.	ft	Sense of rotation
			Clockwise from the drive end
			Outlet width
			G1½"
	Flow	Head	Shaft power P2
	Min. Max. η Max.	H(Q=0) η Max.	P2(Q=0) Max. η Max.
	US g.p.m. US g.p.m. US g.p.m.	ft ft	hp hp hp
	17.6 70.3 46.9	157 114	0
			Speed rpm 3500
			Frequency Hz 60 Hz

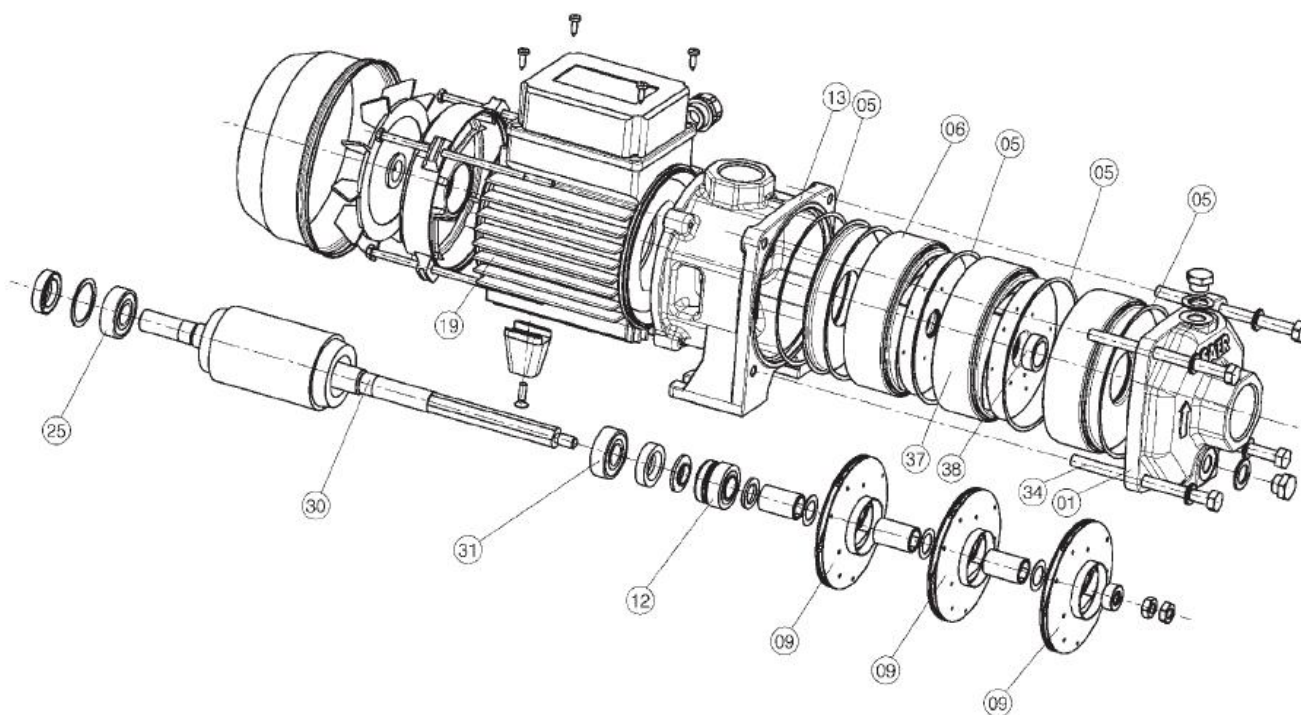
Performance data based to: Water, pure [100%] ; 68°F; 62.3lb/ft³; 1.08E-5ft²/s

UNI EN ISO 9906:2012 - Grade 3B



Project	Project ID	Created by	Created on	Last update
			2022-07-13	

Company name
Respons. Department
Person in charge
Phone number
Fax no
E-mail address



Project	Project ID	Created by	Created on 2022-07-13	Last update
---------	------------	------------	---------------------------------	-------------