



Technical Data

Multi-Stage Horizontal Pump - HBN 4-20

Revision no.

Page:
 1

	Receiver	From
Company name		
Respons. Department		
Person in charge		
Phone number		
Fax no		
E-mail address		

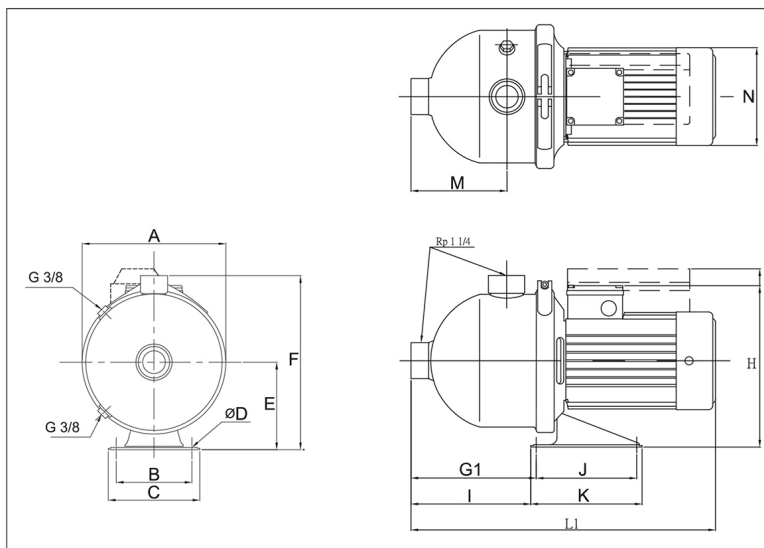


Brand: Gol Pumps
Model: HBN 4-20
Material: Stainless Steel

Enclosure class	IP54
Insulation class	F
Liquid temp. range	32 °F ~ +230 °F
Max. ambient temp.	+104 °F
Max. operating pressure	142 PSI
Max. inlet pressure is limited by Max. operating pressure	
Mechanical seal	RQQE

The Max. operating pressure depends on the temp. of the pumped liquid	
142 PSI	85 PSI
32 °F to +131 °F	+133 °F to +194 °F

Dimensions:



Inlet	Outlet
1 1/4"	1 1/4"

Pump Installation Size (inch)														Weight
A	B	C	ØD	E	F	G1	H	I	J	K	L1	M	N	lb
8	4.3	5.2	0.3	4.6	9.6	7.1	10	6.7	5.4	6.4	15.9	5.5	5.6	20.9

Project	Project ID	Created by	Created on	Last update
---------	------------	------------	------------	-------------



Performance Curves

Multi-Stage Horizontal Pump - HBN 4-20

Revision no.

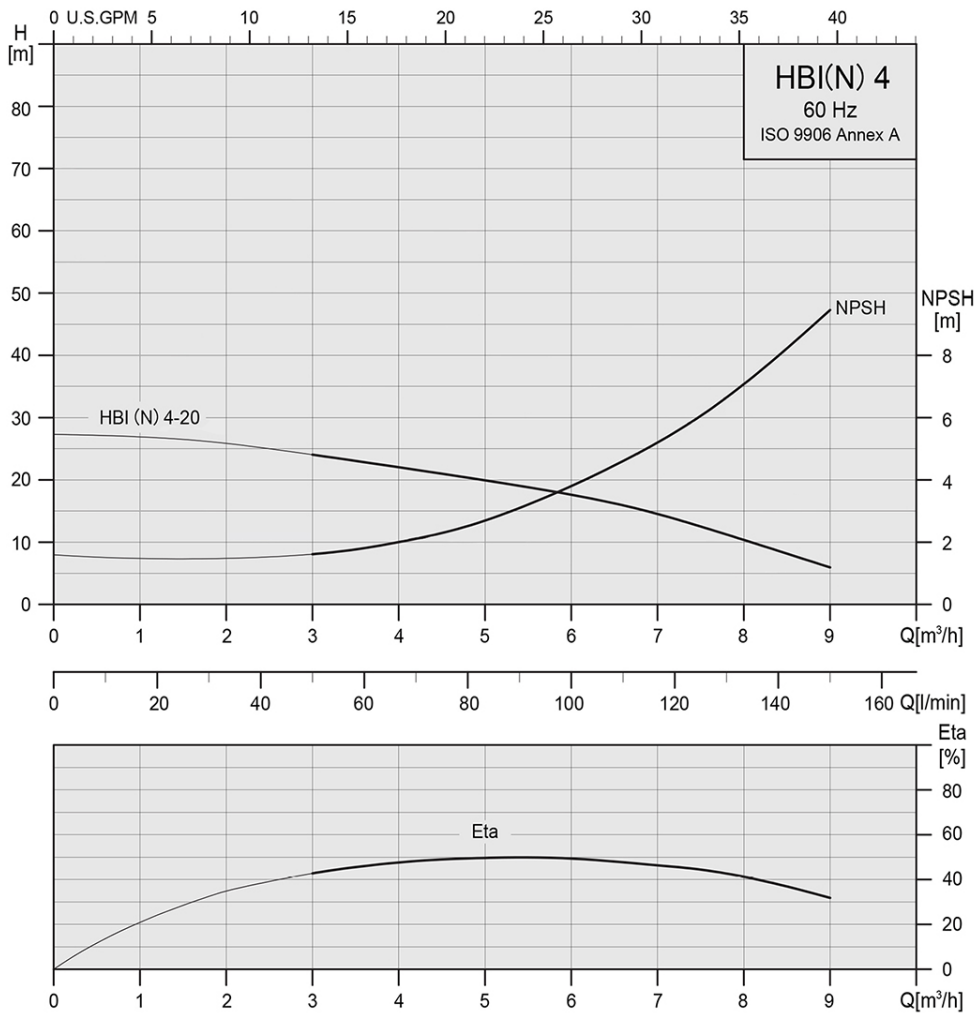
Page:
 2

Receiver

From

Company name
 Respons. Department
 Person in charge
 Phone number
 Fax no
 E-mail address

Model	Capacity			Head		Speed	Motor	Voltage	Phase	Amps	Eff.	(NPSH)r
	m ³ /h	l/m	gpm	m	ft	r/min	hp	v			%	ft
HBN 4-20	9	150	39.5	27	89	3450	0.75	110/220	1	9.3/4.7	50	31.2



Project	Project ID	Created by	Created on	Last update
---------	------------	------------	------------	-------------



Parts and Materials
Multi-Stage Horizontal Pump - HBN 4-20

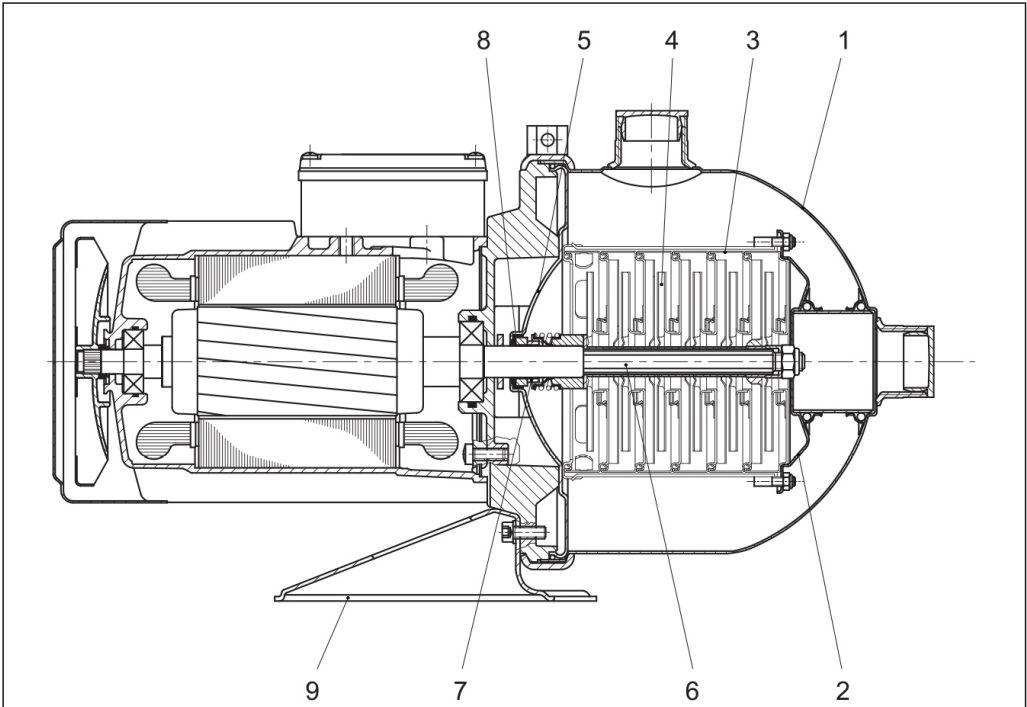
Revision no.

Page:
 3

Receiver

From

Company name
 Respons. Department
 Person in charge
 Phone number
 Fax no
 E-mail address



Parts List

Material

1	Pump Casing	Stainless Steel 316
2	Suction Inter-connector	Stainless Steel 316
3	Chamber	Stainless Steel 316
4	Impeller	Stainless Steel 316
5	Cover Plate	Stainless Steel 316
6	Shaft	Stainless Steel 316
7	Mechanical Seal	Silicon Carbide/Silicon Carbide
8	O-Ring	EPDM
9	Base Plate	Steel

Project	Project ID	Created by	Created on	Last update
---------	------------	------------	------------	-------------