



# Technical Data

## Multi-Stage Horizontal Pump - CBT 12-40

Revision no. \_\_\_\_\_  
Page: 1

	Receiver	From
Company name		
Respons. Department		
Person in charge		
Phone number		
Fax no		
E-mail address		

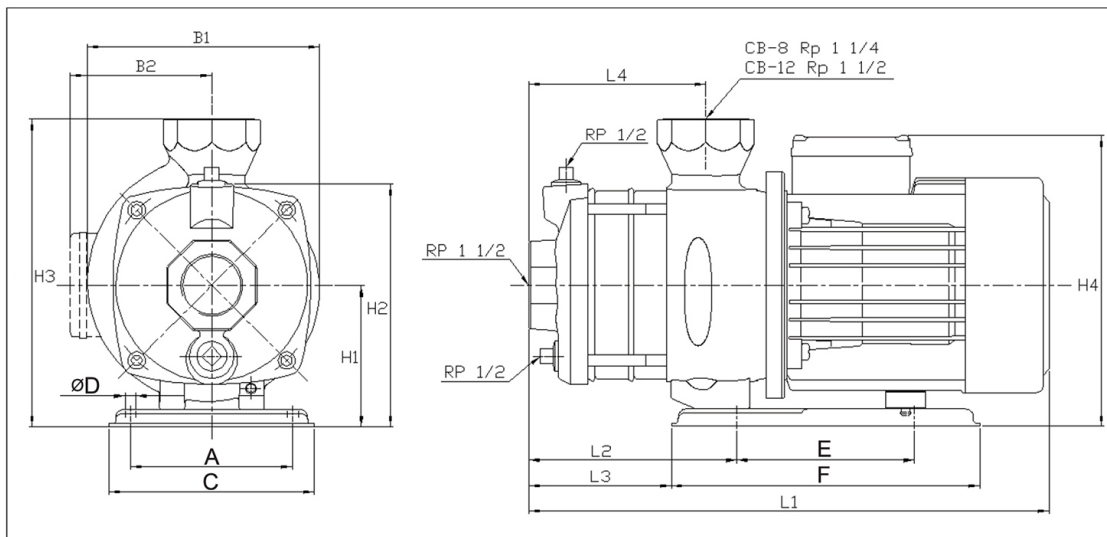


**Brand: Gol Pumps**  
**Model: CBT 12-40**  
**Material: Cast Iron**

Enclosure class	IP54
Insulation class	F
Liquid temp. range	32 °F ~ +194 °F
Max. ambient temp.	+104 °F
Max. operating pressure	142 PSI
<b>Max. inlet pressure is limited by Max. operating pressure</b>	
Mechanical seal	CQBE

The Max. operating pressure depends on the temp. of the pumped liquid	
<b>142 PSI</b>	<b>85 PSI</b>
32 °F to +131 °F	+133 °F to +194 °F

### Dimensions:



Inlet	Outlet
1 1/2"	1 1/2"

Pump Installation Size (inch)															Weight
A	B1	B2	C	ØD	H1	H2	H3	E	F	L1	L2	L3	L4	H4	lb
5	7.7	5.9	6.3	0.3	4.8	7.8	9.9	5.4	9.4	18.5	5.2	3.2	4.2	10.7	75.2

Project	Project ID	Created by	Created on	Last update
---------	------------	------------	------------	-------------



# Performance Curves

## Multi-Stage Horizontal Pump - CBT 12-40

Revision no. \_\_\_\_\_

Page: 2

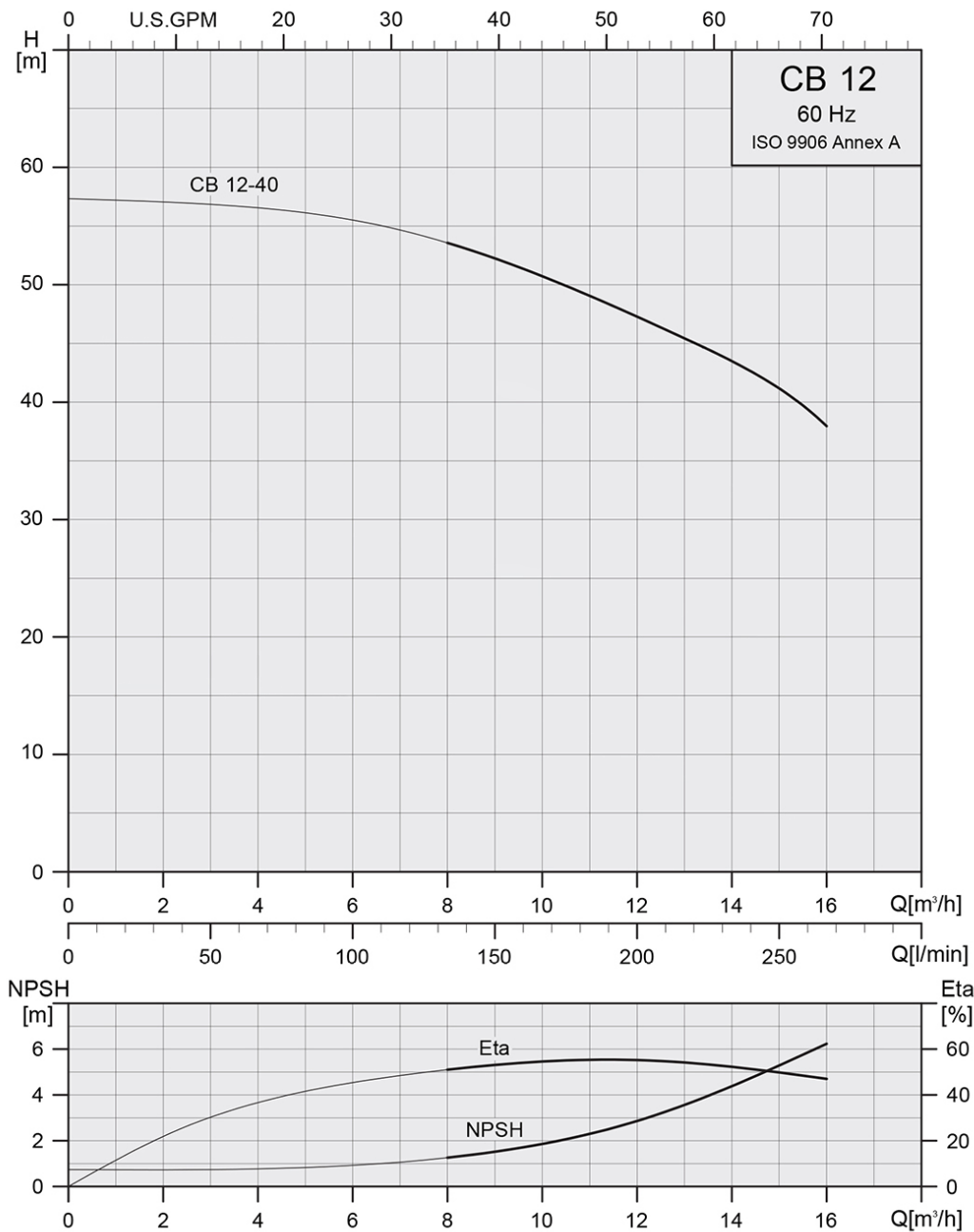
Receiver \_\_\_\_\_

From \_\_\_\_\_

Company name \_\_\_\_\_  
 Respons. Department \_\_\_\_\_  
 Person in charge \_\_\_\_\_  
 Phone number \_\_\_\_\_  
 Fax no \_\_\_\_\_  
 E-mail address \_\_\_\_\_



Model	Capacity			Head		Speed	Motor	Voltage	Phase	Amps	Eff.	(NPSH)r
	m <sup>3</sup> /h	l/m	gpm	m	ft	r/min	hp	v			%	ft
<b>CBT 12-40</b>	16	268	70	57	187	3450	4.4	220/460	3	11.2/6.6	63	20.7



Project _____	Project ID _____	Created by _____	Created on _____	Last update _____
---------------	------------------	------------------	------------------	-------------------