



Technical Data

Multi-Stage Horizontal Pump - CBT 12-10

Revision no.

Page:
 1

	Receiver	From
Company name		
Respons. Department		
Person in charge		
Phone number		
Fax no		
E-mail address		

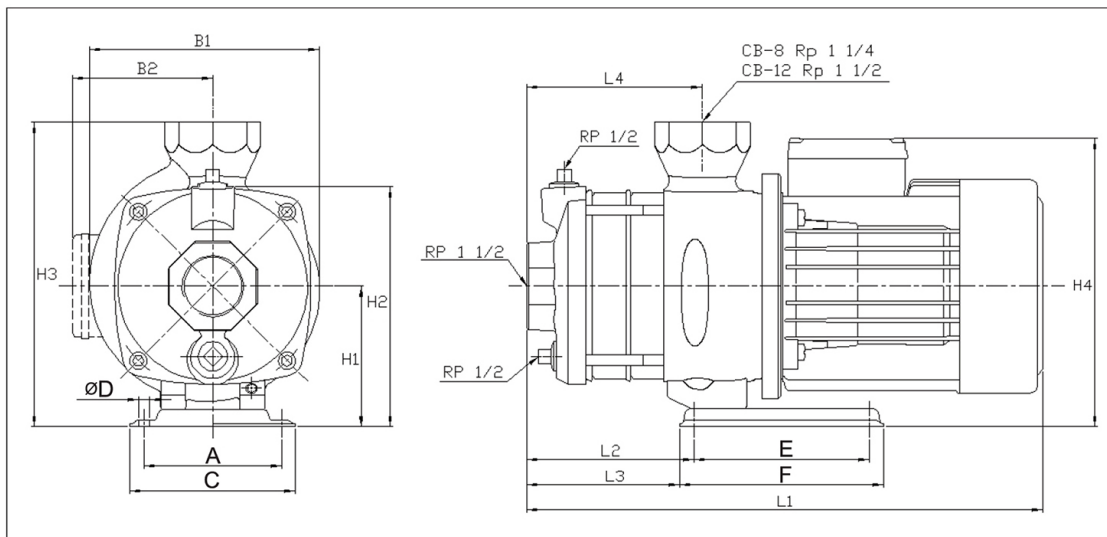


Brand: Gol Pumps
Model: CBT 12-10
Material: Cast Iron

Enclosure class	IP54
Insulation class	F
Liquid temp. range	32 °F ~ +194 °F
Max. ambient temp.	+104 °F
Max. operating pressure	142 PSI
Max. inlet pressure is limited by Max. operating pressure	
Mechanical seal	CQBE

The Max. operating pressure depends on the temp. of the pumped liquid	
142 PSI	85 PSI
32 °F to +131 °F	+133 °F to +194 °F

Dimensions:



Inlet	Outlet
1 1/2"	1 1/2"

Pump Installation Size (inch)															Weight
A	B1	B2	C	ØD	H1	H2	H3	E	F	L1	L2	L3	L4	H4	lb
4.3	7.1	4.5	5.1	0.3	4.3	7.4	9.4	5.4	6.3	14.2	2.1	1.6	3	8.8	35.6

Project	Project ID	Created by	Created on	Last update
---------	------------	------------	------------	-------------



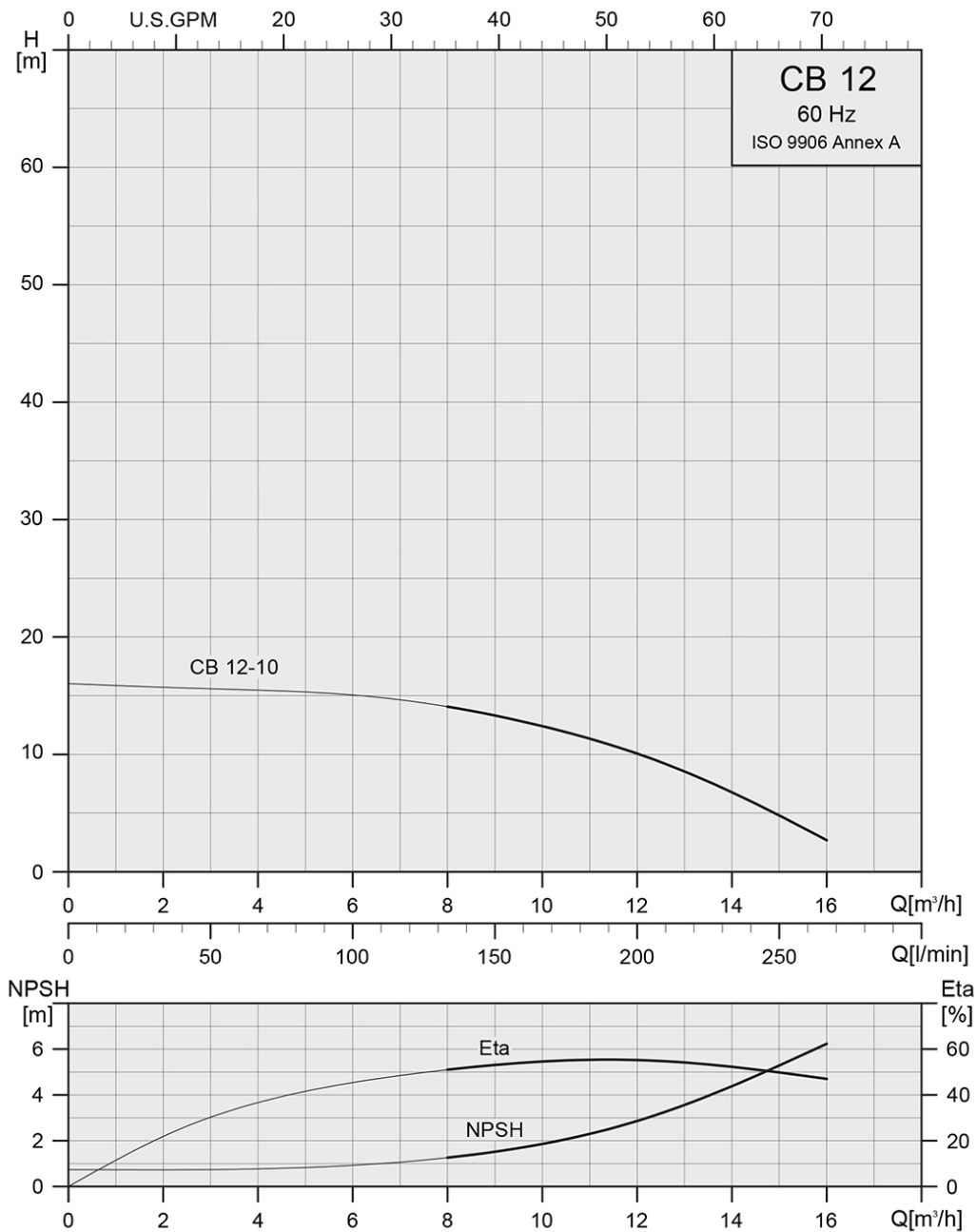
Performance Curves

Multi-Stage Horizontal Pump - CBT 12-10

Revision no. _____
Page: 2

	Receiver	From
Company name		
Respons. Department		
Person in charge		
Phone number		
Fax no		
E-mail address		

Model	Capacity			Head		Speed	Motor	Voltage	Phase	Amps	Eff.	(NPSH)r
	m ³ /h	l/m	gpm	m	ft	r/min	hp	v		%	ft	
CBT 12-10	16	268	70	16	52	3450	1	220/460	3	3.5/2.1	63	20.7



Project	Project ID	Created by	Created on	Last update
---------	------------	------------	------------	-------------