



Technical Data

Multi-Stage Horizontal Pump - CBI 2-50

Revision no.

 Page:
1

Receiver

From

 Company name
 Respons. Department
 Person in charge
 Phone number
 Fax no
 E-mail address

| | |
|--|--|
| | |
|--|--|



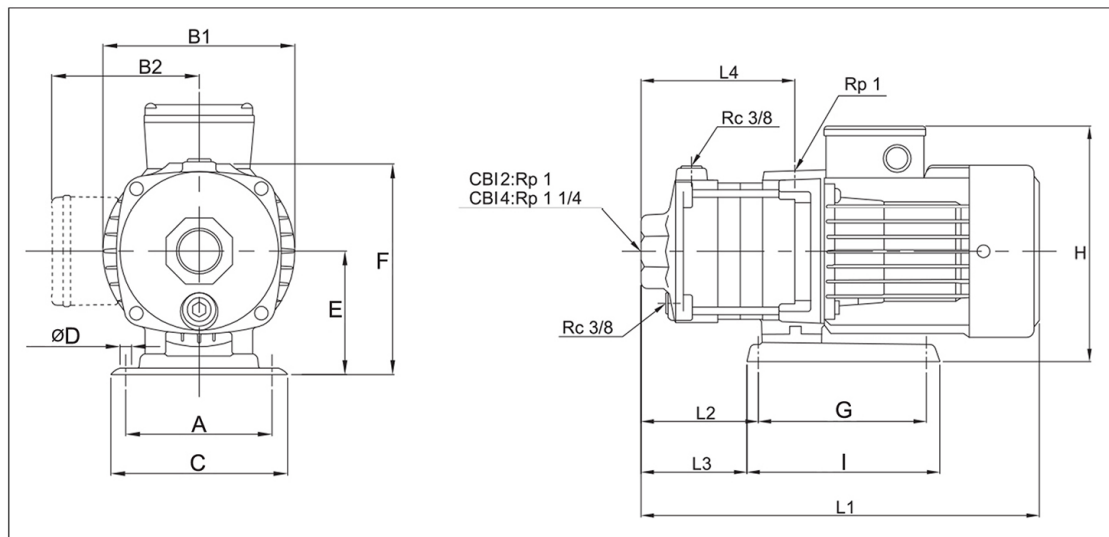
Brand: Gol Pumps
Model: CBI 2-50
Material: Stainless Steel

| | |
|--|-----------------|
| Enclosure class | IP54 |
| Insulation class | F |
| Liquid temp. range | 32 °F ~ +194 °F |
| Max. ambient temp. | +104 °F |
| Max. operating pressure | 142 PSI |
| Max. inlet pressure is limited by Max. operating pressure | |
| Mechanical seal | CQBE |

The Max. operating pressure depends on the temp. of the pumped liquid

| | |
|------------------|--------------------|
| 142 PSI | 85 PSI |
| 32 °F to +104 °F | +106 °F to +194 °F |

Dimensions:



| | |
|--------------|---------------|
| Inlet | Outlet |
| 1" | 1" |

| Pump Installation Size (inch) | | | | | | | | | | | | | | Weight |
|-------------------------------|-----|----|-----|-----|-----|-----|-----|---|-----|------|-----|-----|-----|--------|
| A | B1 | B2 | C | ØD | E | F | G | H | I | L1 | L2 | L3 | L4 | lb |
| 4.3 | 5.6 | 5 | 5.1 | 0.3 | 3.6 | 6.1 | 5.4 | 9 | 6.3 | 15.9 | 5.1 | 4.6 | 6.1 | 26 |

Project

Project ID

Created by

Created on

Last update



Performance Curves

Multi-Stage Horizontal Pump - CBI 2-50

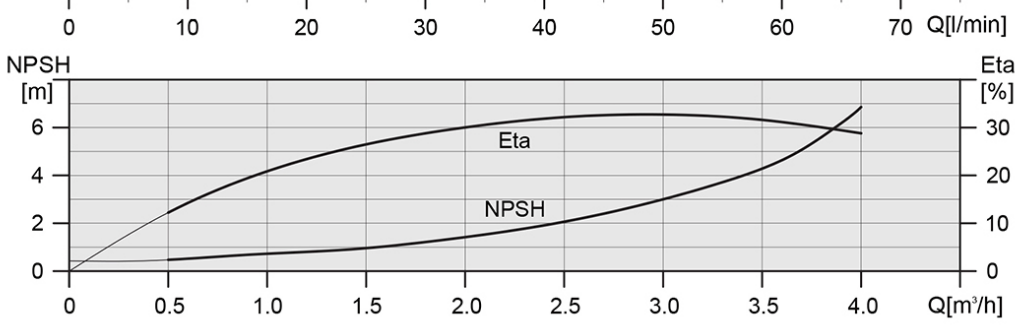
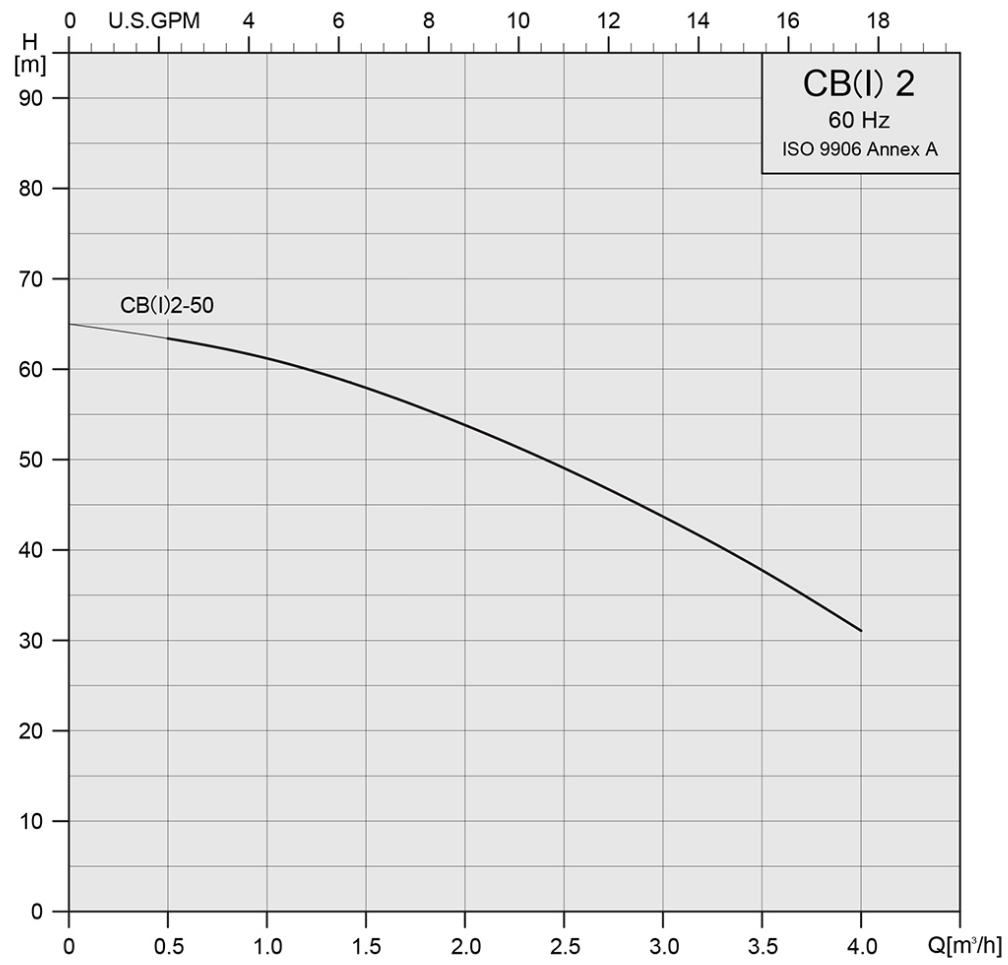
Revision no. _____

Page: 2

Receiver _____ From _____

Company name _____
 Respons. Department _____
 Person in charge _____
 Phone number _____
 Fax no _____
 E-mail address _____

| Model | Capacity | | | Head | | Speed | Motor | Voltage | Phase | Amps | Eff. | (NPSH)r |
|----------|-------------------|-----|------|------|-----|-------|-------|---------|-------|----------|------|---------|
| | m ³ /h | l/m | gpm | m | ft | r/min | hp | v | | | % | ft |
| CBI 2-50 | 4 | 67 | 17.7 | 65 | 213 | 3450 | 1.3 | 110/220 | 1 | 11.7/5.9 | 35 | 23 |



| | | | | |
|---------------|------------------|------------------|------------------|-------------------|
| Project _____ | Project ID _____ | Created by _____ | Created on _____ | Last update _____ |
|---------------|------------------|------------------|------------------|-------------------|