



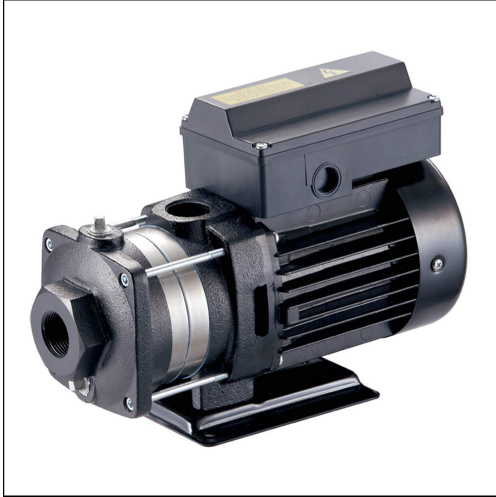
# Technical Data

## Multi-Stage Horizontal Pump - CB 8-20

Revision no.

Page:  
 1

	Receiver	From
Company name		
Respons. Department		
Person in charge		
Phone number		
Fax no		
E-mail address		



**Brand: Gol Pumps**

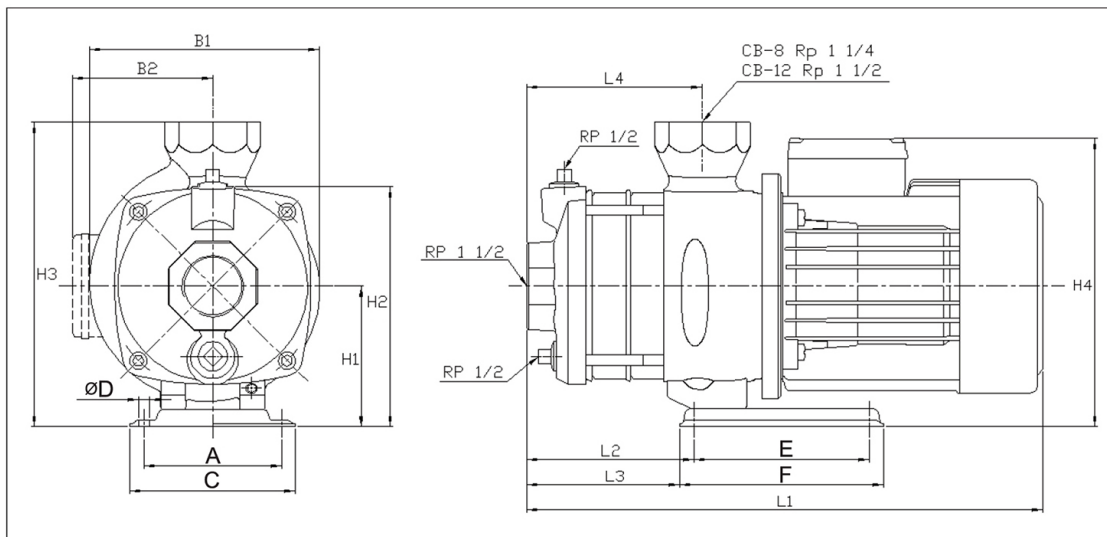
**Model: CB 8-20**

**Material: Cast Iron**

Enclosure class	IP54
Insulation class	F
Liquid temp. range	32 °F ~ +194 °F
Max. ambient temp.	+104 °F
Max. operating pressure	142 PSI
<b>Max. inlet pressure is limited by Max. operating pressure</b>	
Mechanical seal	CQBE

The Max. operating pressure depends on the temp. of the pumped liquid	
<b>142 PSI</b>	<b>85 PSI</b>
32 °F to +131 °F	+133 °F to +194 °F

**Dimensions:**



Inlet	Outlet
1 1/2"	1 1/4"

Pump Installation Size (inch)															Weight
A	B1	B2	C	ØD	H1	H2	H3	E	F	L1	L2	L3	L4	H4	lb
4.3	7.1	5.3	5.1	0.3	4.3	7.4	9.4	5.4	6.3	14.2	2.1	1.6	3	9.6	40.9

Project	Project ID	Created by	Created on	Last update
---------	------------	------------	------------	-------------



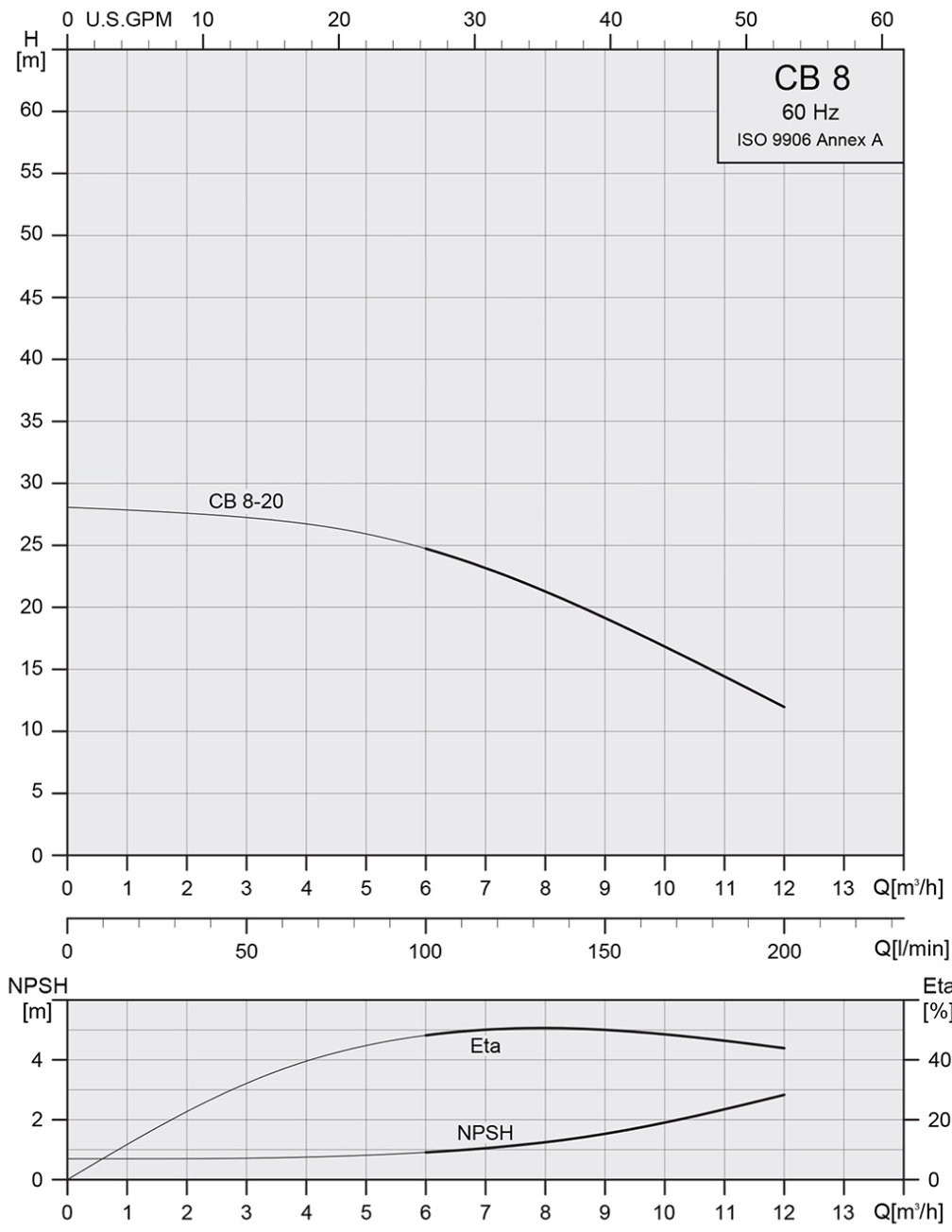
# Performance Curves

## Multi-Stage Horizontal Pump - CB 8-20

Revision no.  Page: 2

Receiver	From
Company name Respons. Department Person in charge Phone number Fax no E-mail address	

Model	Capacity			Head		Speed	Motor	Voltage	Phase	Amps	Eff.	(NPSH)r
	m <sup>3</sup> /h	l/m	gpm	m	ft	r/min	hp	v		%	ft	
<b>CB 8-20</b>	12	200	53	28	91.9	3450	1.4	110/220	1	11.7/5.9	28	9.2



Project	Project ID	Created by	Created on	Last update
---------	------------	------------	------------	-------------