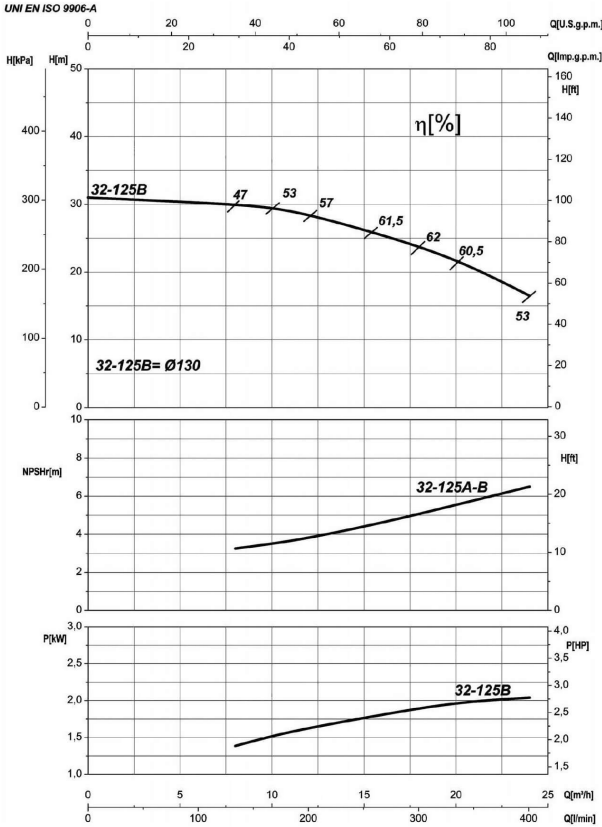


Company name  
Respons. Department  
Person in charge  
Phone number  
Fax no  
E-mail address

Receiver	From



**Operating data specification**

Nominal flow	US g.p.m. 0
Nominal head	ft 0
Static head	ft 0
NPSH - v value of plant	ft 0
Inlet pressure	psi 1.42
Fluid	Water, pure
Operating temperature t A	°F 68
Density at t A	lb/ft³ 62.32
Kin. viscosity at t A	ft²/s 1.082E-5

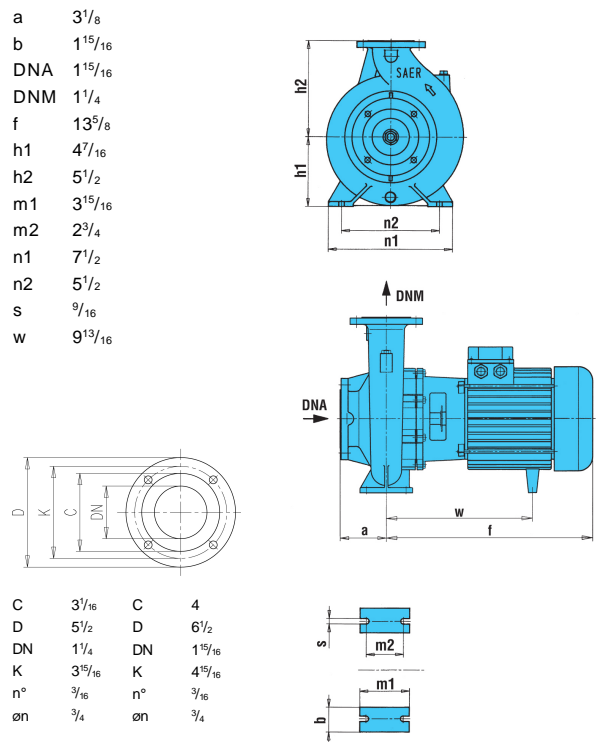
Pump		6IR32-125B	
Pump name	6IR32-125B		
Size	50/32/125		
Design			
Speed rpm	3600	No of stages	1
Impeller type			
Flow	Nominal	US g.p.m.	
	Max-	US g.p.m. 106	
	Min-	US g.p.m. 35.2	
Head	Nominal	ft	
	Max-	ft 98.1	
	Min-	ft 54.6	
Head H(Q=0)	ft 101		
NPSH 3%	ft		
Max. working pressure	psi 43.8		
Shaft power	hp		
Efficiency	%		
Max absorbed power	hp 2.7354		

**Materials Pump**

Shaft	Stainless steel AISI 431 (1.4057)		
Impeller	Cast iron EN-GJL-250		
Pump body	Cast iron EN-GJL-250		
Seal disc	Cast iron EN-GJL-250		
Gasket	Natural fiber		
Mechanical seal	BVEG (Grafito/Ossido Allumina/EPDM)		

<b>Motor</b>	Frame size	90 S		
Manufacturer / Type	SAER MEC90S-2P-2.2			
Rated power	hp	2.9502	Efficiency 4/4	85 %
Electric current	A	8.1 A	Speed rpm	3600
Electric voltage	V	230V	3~ Hz	60
Starting mode	Unknown			
Degree of protection	IP 55	Insulation class	F	

**Dimensions in inch**



Remarks:				
Project	Project ID	Created by	Created on	Last update
			2022-08-01	

Receiver

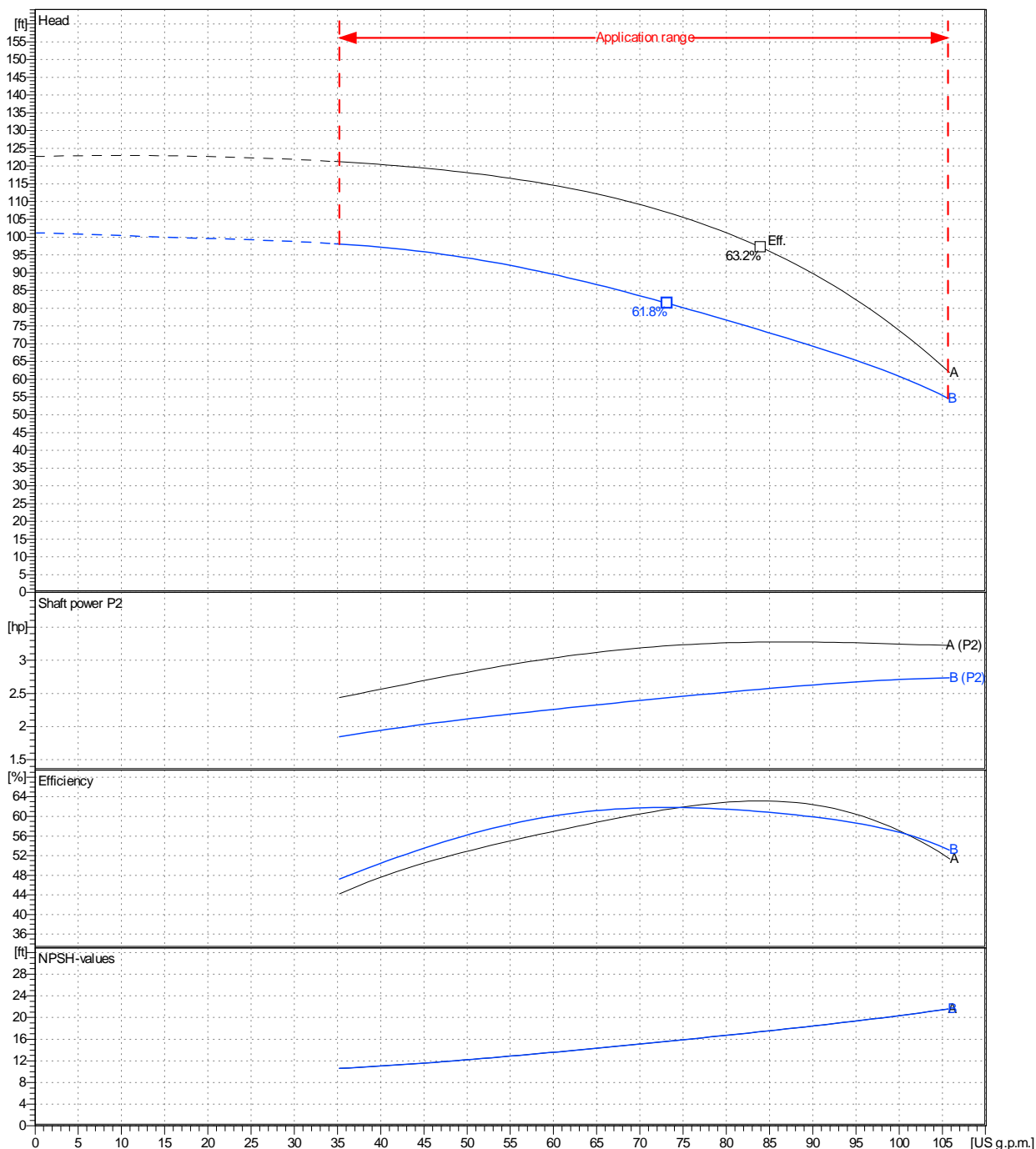
From

 Company name  
 Respons. Department  
 Person in charge  
 Phone number  
 Fax no  
 E-mail address

Operating area	Flow	Head	Impeller type	
Operating data specification	0 US g.p.m.	0 ft	Impeller construction	Closed
Pump data	US g.p.m.		Sense of rotation	Clockwise from the drive end
	ft		Outlet width	DN 32
	Flow		Speed	rpm 3600
	Min.	Max.	Frequency	Hz 60 Hz
	US g.p.m.	US g.p.m.		
	35.2	106		
	$\eta$ Max.	H(Q=0)	Shaft power P2	
	73.2	101	P2(Q=0)	
		81.4	Max.	
			$\eta$ Max.	
			2.74	
			2.43	

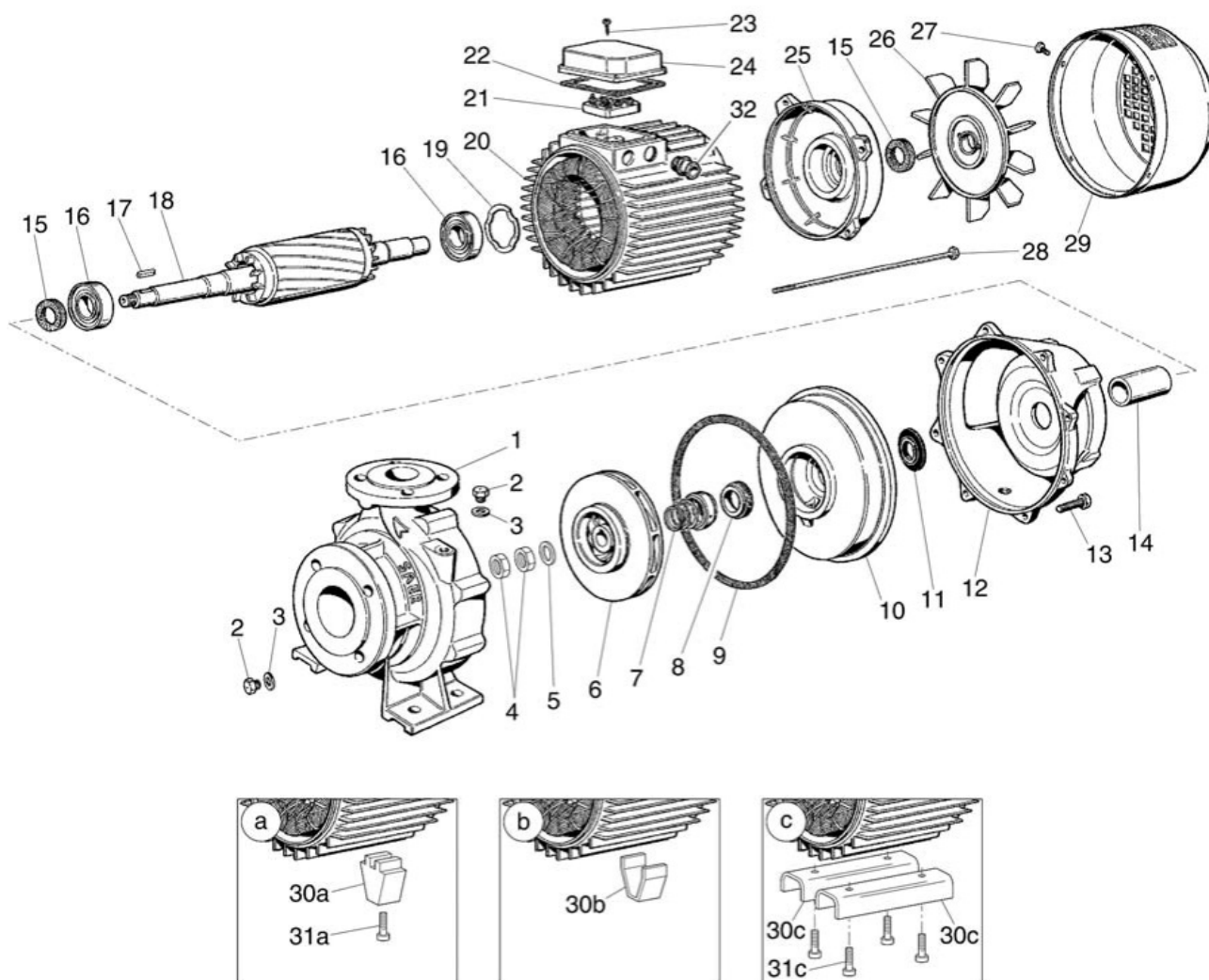
 Performance data based to: Water, pure [100%]; 68°F; 62.3lb/ft<sup>3</sup>; 1.08E-5ft<sup>2</sup>/s

UNI EN ISO 9906:2012 - Grade 3B



Project	Project ID	Created by	Created on	Last update
			2022-08-01	

Company name  
Respons. Department  
Person in charge  
Phone number  
Fax no  
E-mail address



Project

Project ID

Created by

Created on  
**2022-08-01**

Last update