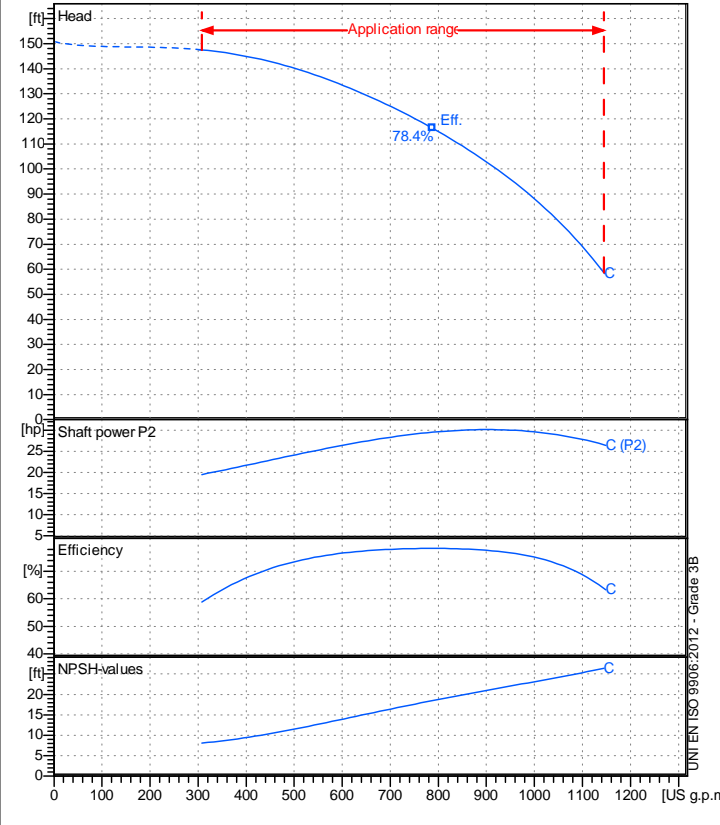


Company name
 Respons. Department
 Person in charge
 Phone number
 Fax no
 E-mail address

Receiver	From



Operating data specification

Nominal flow	US g.p.m. 0
Nominal head	ft 0
Static head	ft 0
NPSH - v value of plant	ft 0
Inlet pressure	psi 1.42
Fluid	Water, pure
Operating temperature t A	°F 68
Density at t A	lb/ft³ 62.32
Kin. viscosity at t A	ft²/s 1.082E-5

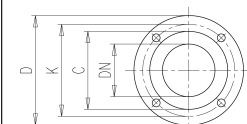
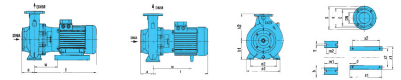
Pump		6MG-M2 80-160 C	
Pump name	6MG-M2 80-160 C		
Size	50/32/200		
Design			
Speed rpm	3600	No of stages	1
Impeller type			
Flow	Nominal	US g.p.m.	
	Max-	US g.p.m.	1150
	Min-	US g.p.m.	308
Head	Nominal	ft	
	Max-	ft	148
	Min-	ft	58.2
Head H(Q=0)	ft 151		
NPSH 3%	ft		
Max. working pressure	psi 65.3		
Shaft power	hp		
Efficiency	%		
Max absorbed power	hp 30.142		

Materials Pump

Shaft	Duplex Stainless steel (1.4362)
Impeller	Bronze G-CuSn10 (CC480K)
Pump body	Bronze G-CuSn10 (CC480K)
Seal disc	Bronze G-CuSn10 (CC480K)
Gasket	Natural fiber
Mechanical seal	Q1Q1VG (SiC/SiC/FPM)

Dimensions in inch

a	4 ¹⁵ / ₁₆	z1	10 ¹ / ₄
b	2 ⁹ / ₁₆	z2	8 ¹ / ₂
d	14*4		
DNA	3 ¹⁵ / ₁₆		
DNM	3 ¹ / ₈		
h1	7 ¹ / ₁₆		
h2	8 ⁷ / ₈		
l	42 ⁵ / ₁₆		
m1	4 ¹⁵ / ₁₆		
m2	3 ³ / ₄		
n1	12 ⁵ / ₈		
n2	9 ¹³ / ₁₆		
s	9 ⁹ / ₁₆		
w	17 ¹⁵ / ₁₆		
x1	12 ⁵ / ₈		
x2	11		



C	5 ⁷ / ₁₆	C	6 ¹ / ₄
D	7 ⁷ / ₈	D	8 ¹¹ / ₁₆
DN	3 ³ / ₈	DN	3 ¹⁵ / ₁₆
K	6 ⁹ / ₁₆	K	7 ¹ / ₁₆
n°	3 ⁹ / ₁₆	n°	5 ⁹ / ₁₆
Øn	3 ³ / ₄	Øn	3 ³ / ₄

Motor	Frame size	180 M		
Manufacturer / Type	SAER MEC180M-2P-22			
Rated power	hp	29.502	Efficiency 4/4	89.5 %
Electric current	A	35	Speed rpm	3600
Electric voltage	V	460 V	3~ Hz	60
Starting mode	Unknown			
Degree of protection	IP 55	Insulation class	F	

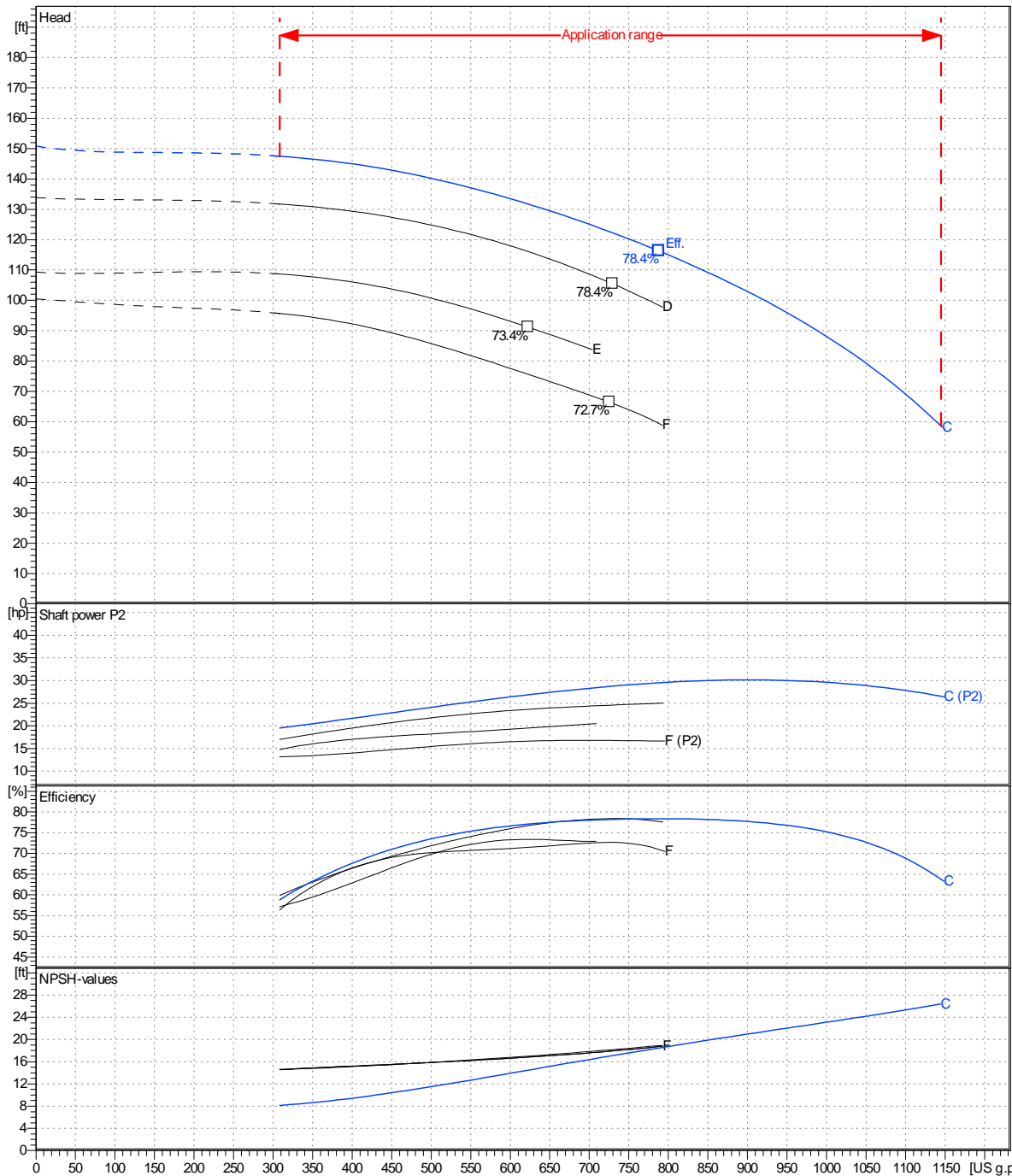
Remarks:				
Project	Project ID	Created by	Created on	Last update
			2022-09-19	

Receiver		From	
Company name	_____	_____	_____
Respons. Department	_____	_____	_____
Person in charge	_____	_____	_____
Phone number	_____	_____	_____
Fax no	_____	_____	_____
E-mail address	_____	_____	_____

Operating area	Flow	Head	Impeller type
Operating data specification	0 US g.p.m.	0 ft	Impeller construction Closed
Pump data	US g.p.m.	ft	Sense of rotation Clockwise from the drive end
	US g.p.m.	ft	Outlet width DN 80
	Flow	Head	Shaft power P2
	Min. Max. η Max.	H(Q=0) η Max.	P2(Q=0) Max. η Max.
	US g.p.m. US g.p.m. US g.p.m.	ft ft	hp hp hp
	308 1140 788	151 116	30.1 29.5
			Speed rpm 3600
			Frequency Hz 60 Hz

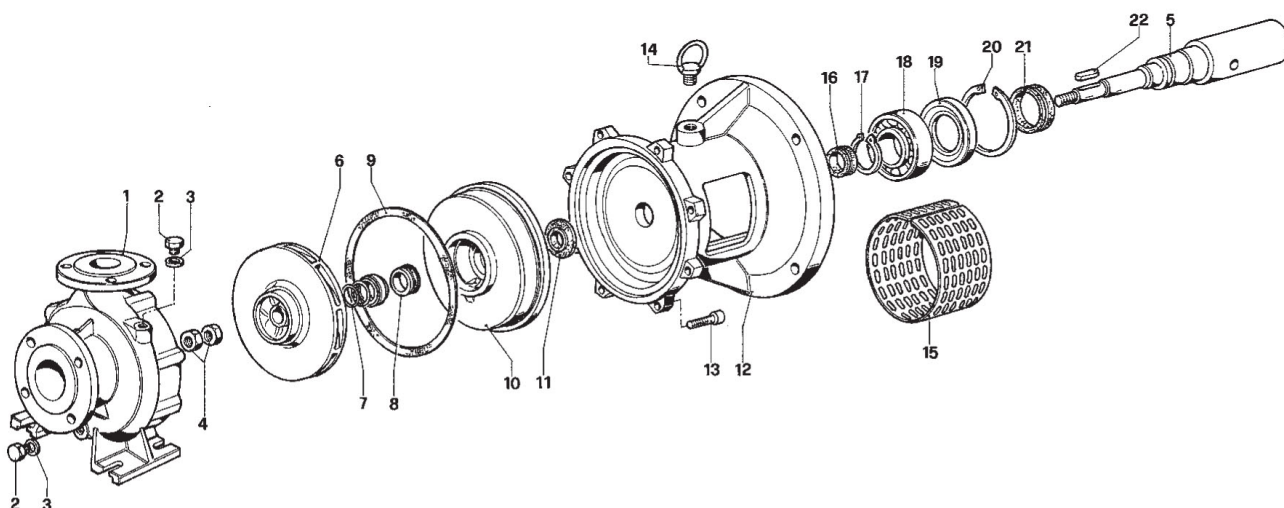
Performance data based to: Water, pure [100%] ; 68°F; 62.3lb/ft³; 1.08E-5ft²/s

UNI EN ISO 9906:2012 - Grade 3B



Project	Project ID	Created by	Created on 2022-09-19	Last update
---------	------------	------------	--------------------------	-------------

Company name
Respons. Department
Person in charge
Phone number
Fax no
E-mail address



Project

Project ID

Created by

Created on
2022-09-19

Last update